



Single Screen Door Installation Instructions

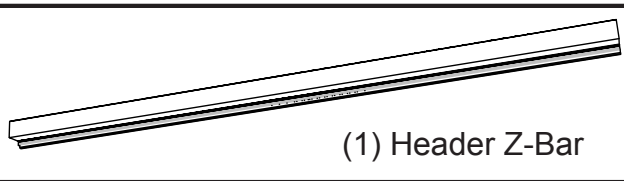
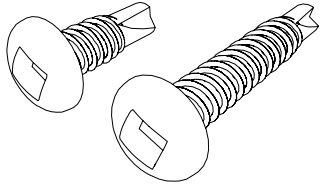
Package Includes:

- (1) PCA Screen Door
- (1) Left Hand Z-bar
- (1) Right Hand Z-bar
- (1) Header Z-bar
- (1) Piano Hinge/Side Expander
- (1) Adjustable Bug Sweep (Includes Bug Sweep Channel and Wool Pile)
- (22) #8x1" TEK Screws
- (10) #8x1/2" TEK Screws

Not Shown:

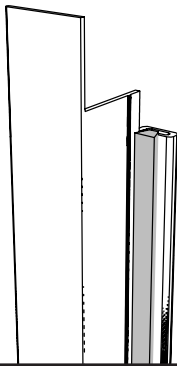
- (1) Door Handle and Closer Kit

- (22) #8x1" tek screws
- (10) #8x1/2" tek screws

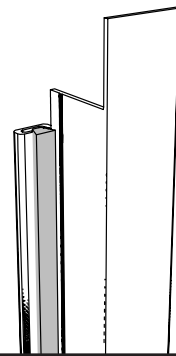


(1) Header Z-Bar

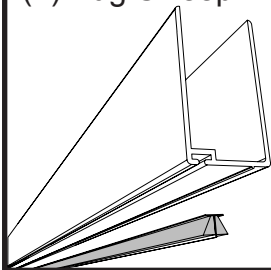
(1) Left Z-Bar



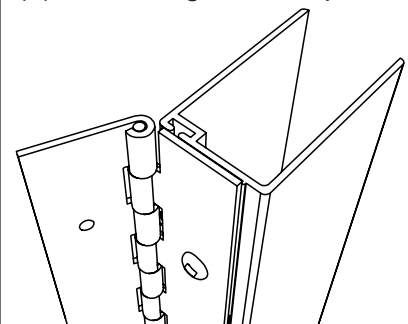
(1) Right Z-Bar



- (1) Bug Sweep Channel
- (1) Bug Sweep Wool Pile



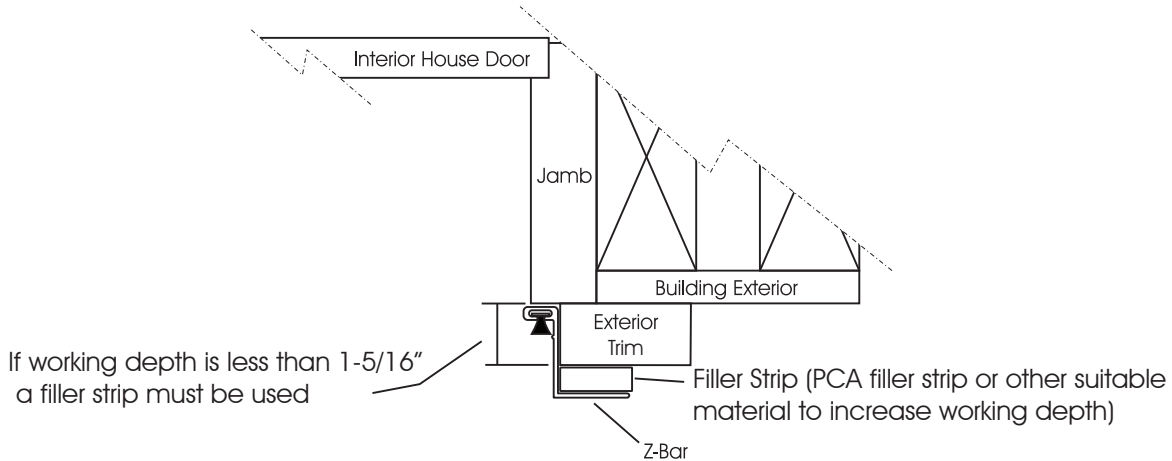
(1) Piano Hinge/Side Expander



This kit can be used for left or right hand installations. Right hand hinge shown.

Before You Begin!

1. Are you installing a **LEFT HAND** or **RIGHT HAND** door? This kit can be used for left or right hand installations. These instructions show a **RIGHT HAND** installation.
2. Do you need to use a **FILLER STRIP**? If working depth is less than 1-5/16" you will need to install a filler strip. Filler strip kit available from PCA Products.



PCA Screen Door Installation

Step 1: Cut Left and Right Z-Bar to length

Facing the house from the outside, measure the height of the opening from the top of the door opening, to the top of the threshold (Fig 1A). Using that dimension, measure from the Z-bar notch and cut the **LEFT** and **RIGHT** Z-bars to the same length (Fig 1B). Keep this dimension handy as it will be needed later.

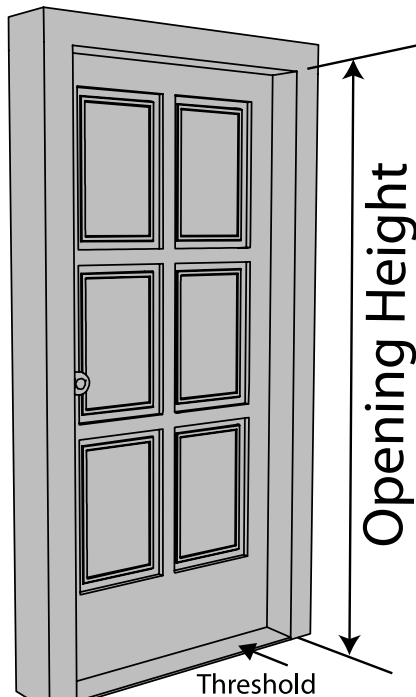


Fig 1A

Opening Height = _____"

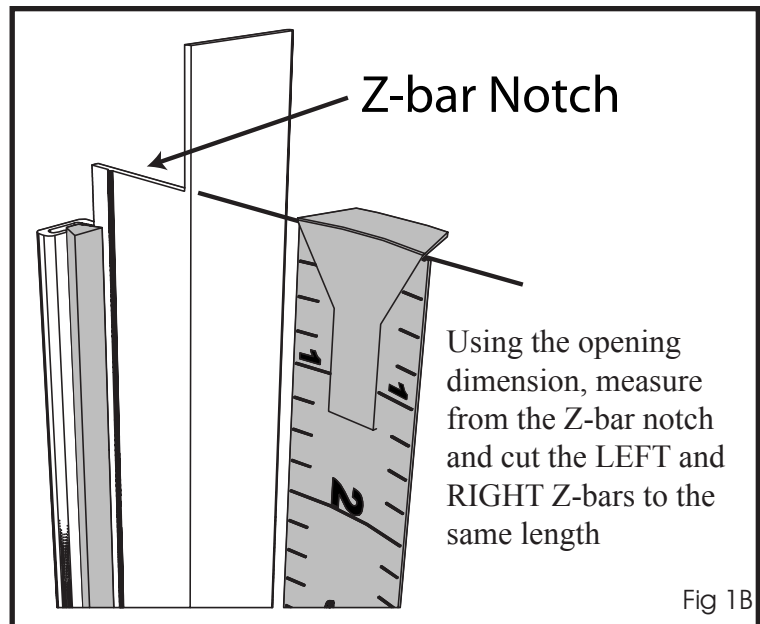


Fig 1B

Step 2: Install Left and Right Z-Bar (and Filler strip if needed)

A: Install Left Side Z-Bar

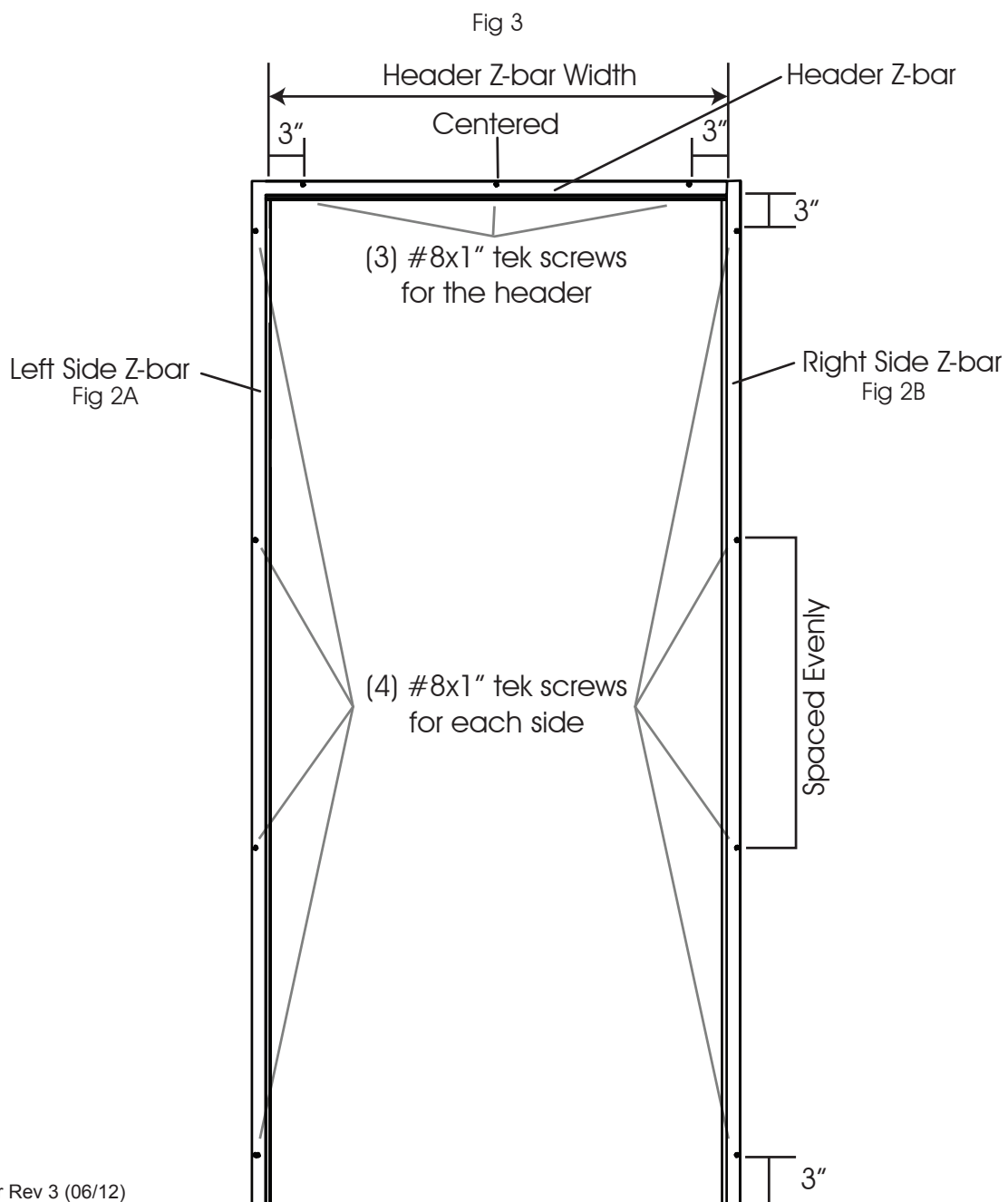
Fasten the left side Z-bar with a total of (4) #8x1" tek screws. (Fig 2A).

B: Install Right Side Z-Bar

Follow the same procedure as the left side Z-bar (Fig 2B)

Step 3: Cut and Install Header Z-Bar (and Filler strip if needed)

Measure from Left Z-bar to Right Z-bar and cut header Z-bar to length (Fig 3). Fasten Z-Bar Header into place with (3) #8x1" tek screws (Fig 3).

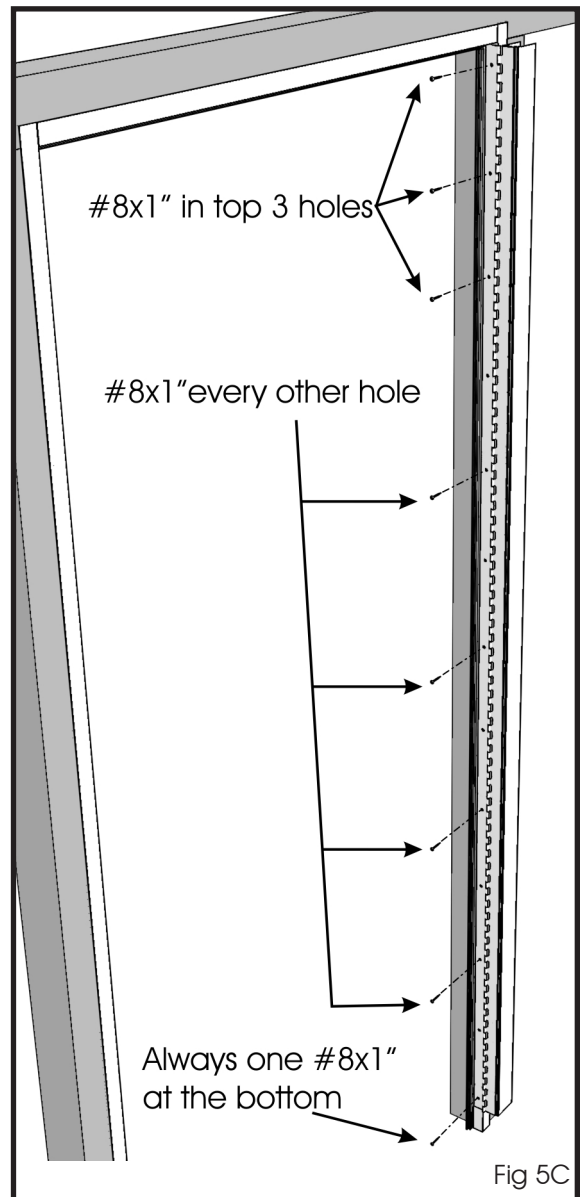
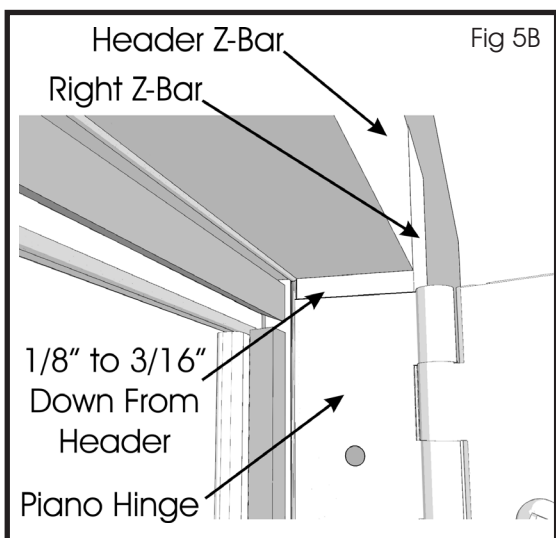
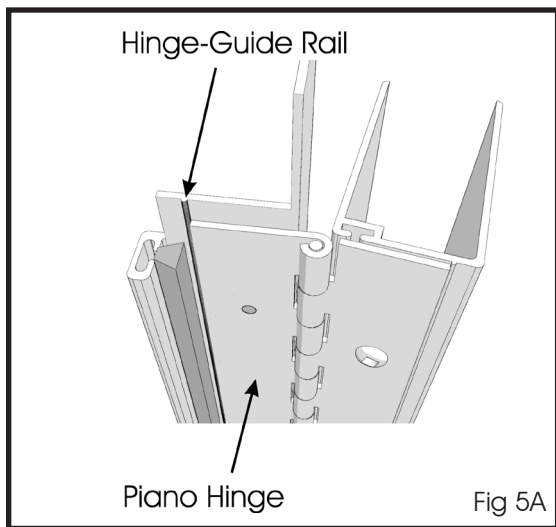


Step 4: Cut Side Expander/Piano Hinge

Mark the side expander/piano hinge assembly using your opening height from Step 1, **MINUS 2-1/4"** to accommodate Adjustable Bug Sweep. Cut the side expander/piano hinge assembly to length.

Step 5: Install Side Expander/Piano Hinge Assembly

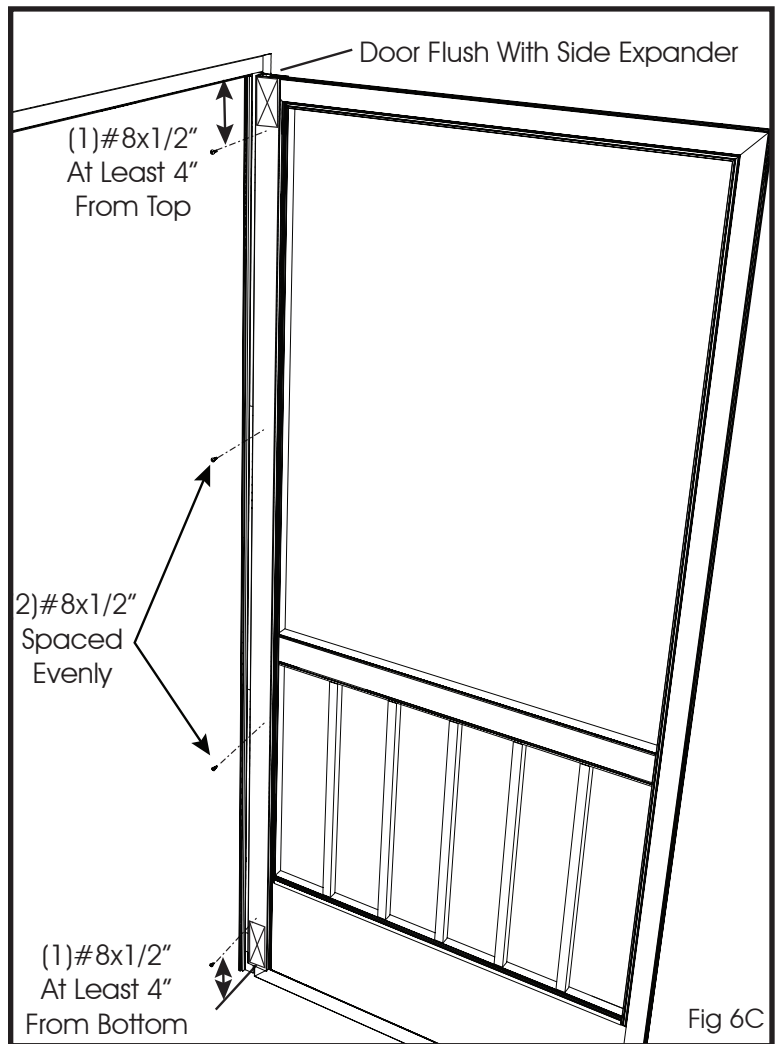
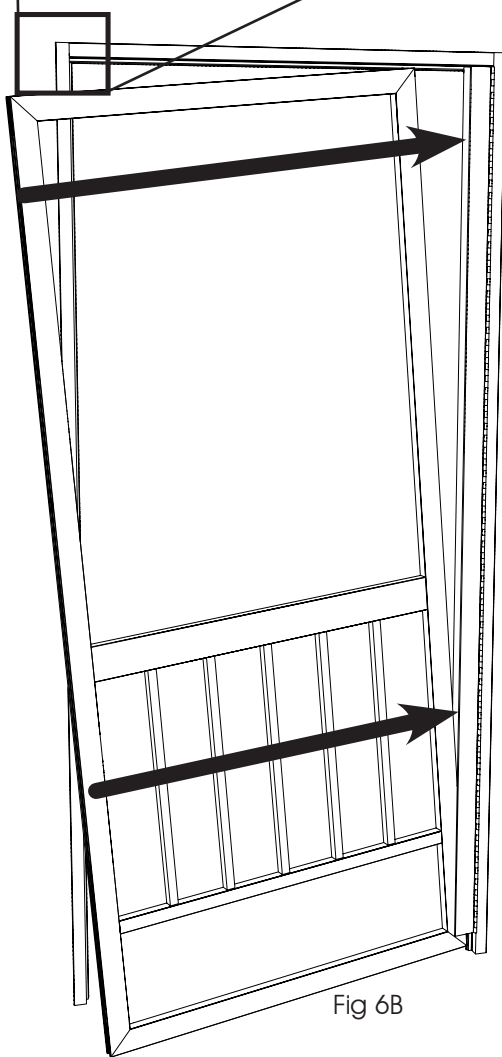
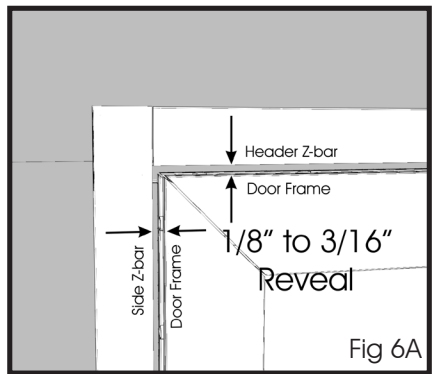
Open the piano hinge and place it against right side Z-Bar "Hinge-guide Rail" (Fig 5A), down 1/8" to 3/16" from the Z-Bar header. This measurement will determine your final reveal (Fig 5B). Use #8x1 screws in the top three holes, and then every other hole to secure the hinge. Always be sure there is a screw in the last hole (Fig 5C). You could use (9) - (11) #8x1" screws depending on actual door size.



**Step 6: Install Door Into Side Expander -
Screen To Inside On All PCA Doors Except A-100 Series**

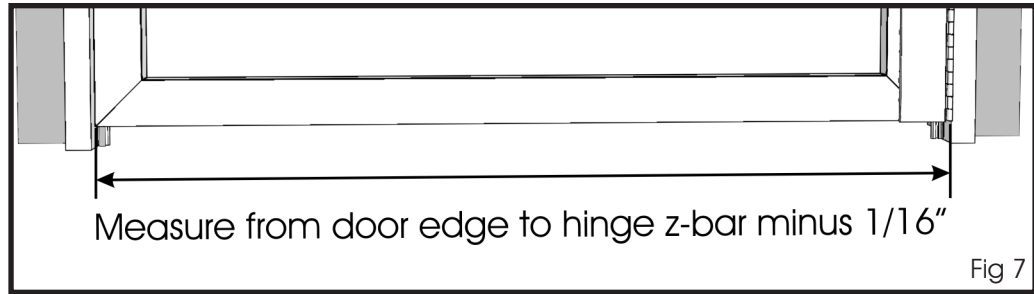
A: Slide door frame into side expander (Fig 6B) being sure that the top of the door frame is flush with the top of the side expander (Fig 6C). Adjust door out to latch side Z-Bar to achieve desired reveal, generally 1/8" to 3/16" (Fig 6A).

B: Fasten the door to the side expander with a total of (4) #8x1/2" tek screws. **IMPORTANT: Stay at least 4 inches from top and bottom of door to avoid hitting internal corner key!** (Fig 6C)

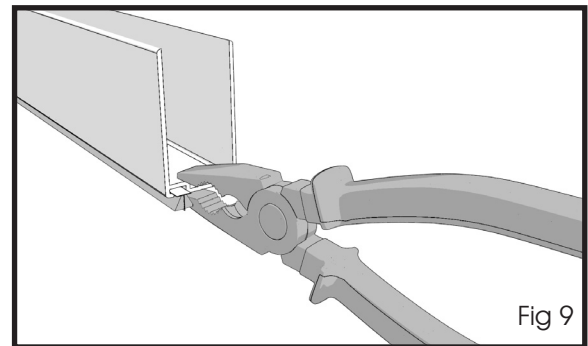
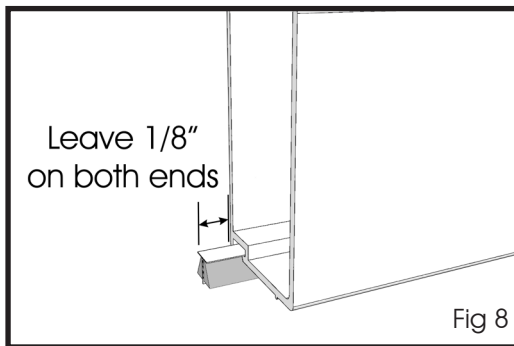


Step 7: Cut and Install Adjustable Bug Sweep

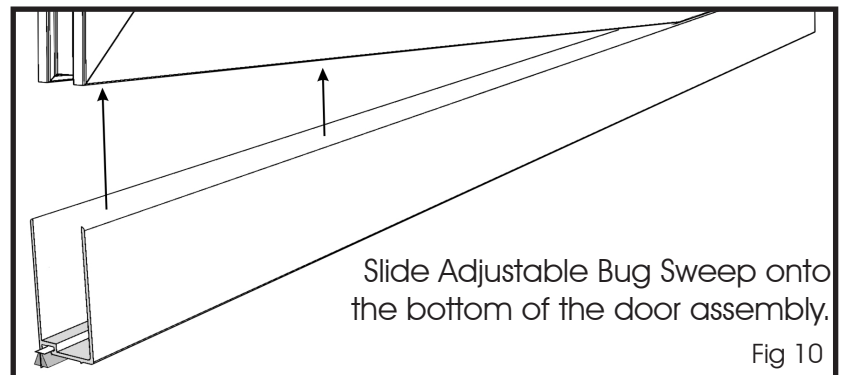
A: Close door and measure from the door edge on the latch side to Z-bar minus 1/16" (Fig 7). Cut channel to width.



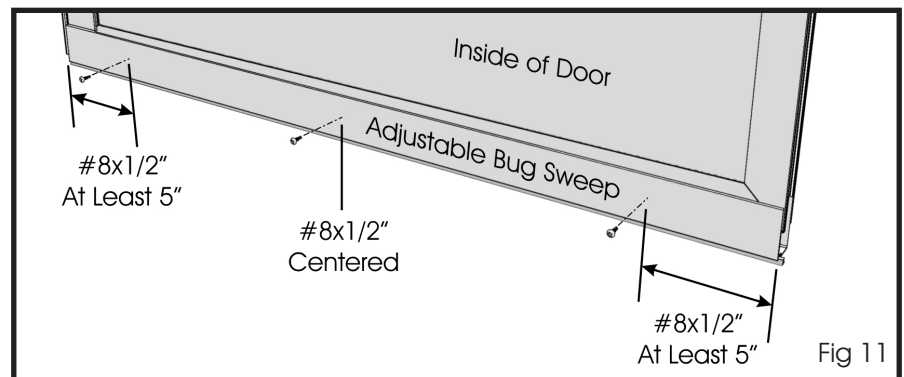
B: Insert wool pile into bug sweep and trim excess, leaving 1/8" hanging out on each end (Fig 8). Crimp the sweep to prevent wool pile from sliding out of place (Fig 9).



C: Slip the bug sweep in place and check for proper fit along threshold (Fig 10). Bug Sweep Channel should be flush with the latch side of the door frame.



D: Attach the bug sweep using (3) #8x1/2" on the inside (Fig 11).



Step 8: Install Door Handle and Closure Tube

Follow instructions supplied with the door handle and closure assembly.