



We will gladly supply a quotation under the following guidelines...

Our pre-engineered kits are put together to conform to 2011 International Building Code standards. We will not help our customers take short cuts. For your safety and insurance purposes we will need the following information before considering your request for quotation...

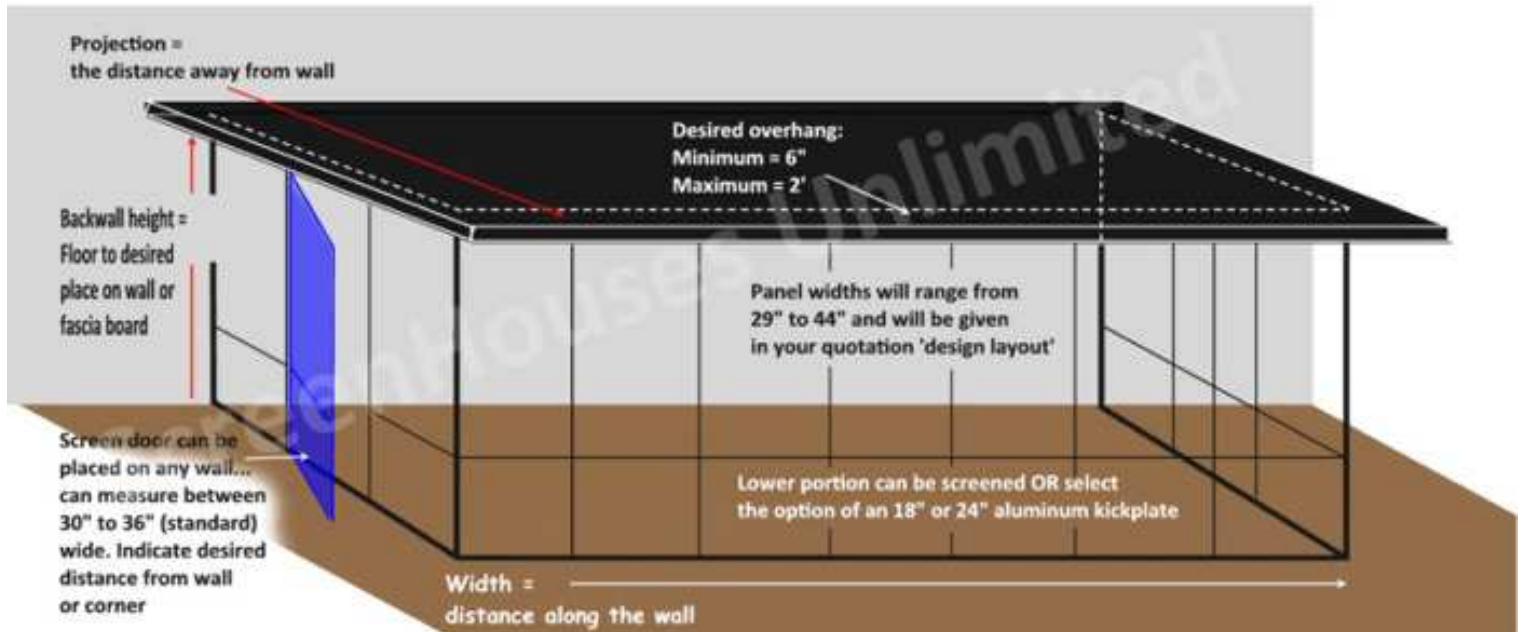
Fill in the information required and fax or email this sheet...

Fax: 855.922.4494

Email: requests@screen-house.com

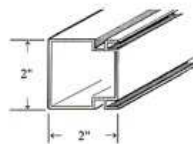
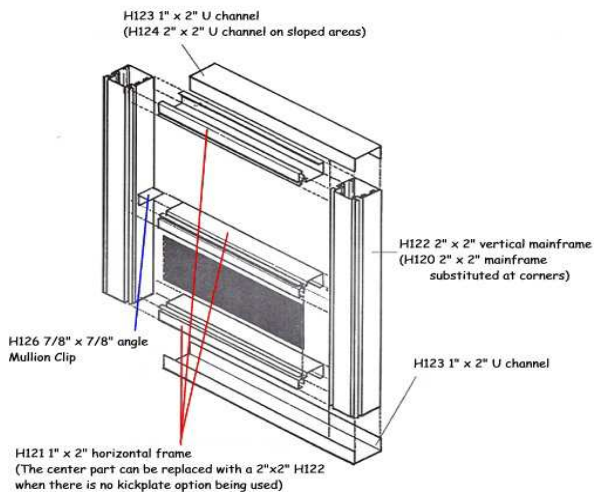
You will need to obtain, from your local building department, a "pounds per square foot" load requirement as well as a "miles per hour" wind load requirement. This is so that the required thickness of the roof can be assessed.

*These units are designed according to the available engineering for our roof systems. The screen wall system we supply will always be more than sufficient to support the roof and the load for your area. However engineering on the screen walls is not available. So if you are going to get a permit for this unit, we will incorporate, into the design, a set of beam and posts which will satisfy your municipal building department requirements.

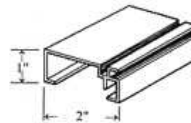


Not included in your kit:

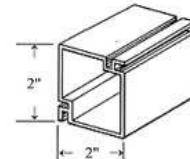
- **Screws to attach u-channel to house wall.**
- **Sealant for u-channel to concrete or floor connection. We suggest using Tapcon screws in addition to the sealant.**



H122 - Vertical supports



H121 - Horizontal supports...top, bottom and mullion



H120 - Replaces the H122 on a corner



H123 - top and bottom U channels

If you are mounting the roof on the house wall, simply color in this rectangle.

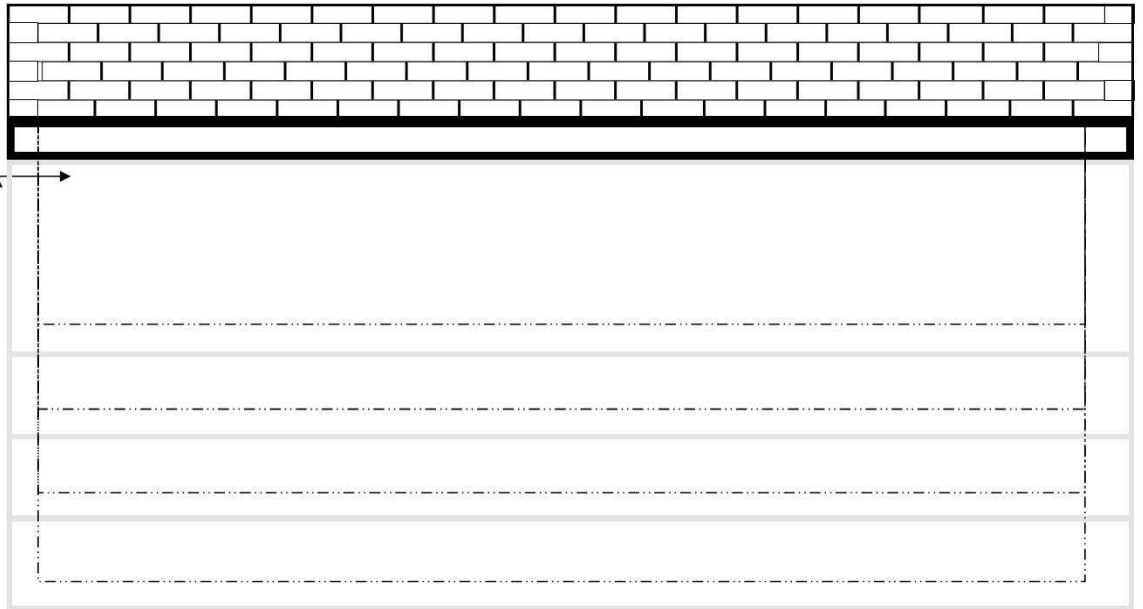
If you are mounting the roof on the fascia board, leave it white and give the soffit width measurement.

Note that the walls continue on the underside of the soffit to the house wall.

Trace over the light gray that best illustrates the size of roof you would like.

Trace over the dotted line that best illustrates the foot-print of your screen walls.

If you have a bump-out (like a chimney) draw the placement of it and indicate all of the measurements associated with it (see below)



Load Rating Requirements _____ lbs./sq.ft. _____ mph.

ROOF: **WALLS:** **BUMP-OUT:**

Roof Projection _____' _____"

Roof Width _____' _____"

Desired Front Overhang _____' _____"

Desired Side Overhang _____' _____"

Height on house wall or on Fascia Board _____' _____"

Do you require a fan beam installed in one or more of the roof panels? Yes No Qty=_____

Walls Projection _____' _____"

Walls Width _____' _____"

Kickplate: NO 18" Kickplate 24" Kickplate

Frame Color: Bronze Clay White

IF on Fascia is there an overhang?? _____' _____"

Left side to Bump-out _____' _____"

Bump-out to right side _____' _____"

Actual Width of Bump-out _____' _____"

Projection of Bump-out _____' _____"

Door Placement: On the drawing above indicate where you would like the door. Indicate (_____ inches) where the door is relative to a corner or the house wall

Important Note: The roof projection and width needs to be AT LEAST 6" greater than the total wall projection and width footprint. Typically a one foot (1') overhang on all three sides will be our suggestion. Maximum is 2 ft.

Name: _____



Telephone: _____

Email: _____

See first page for further information
on screen room terminology