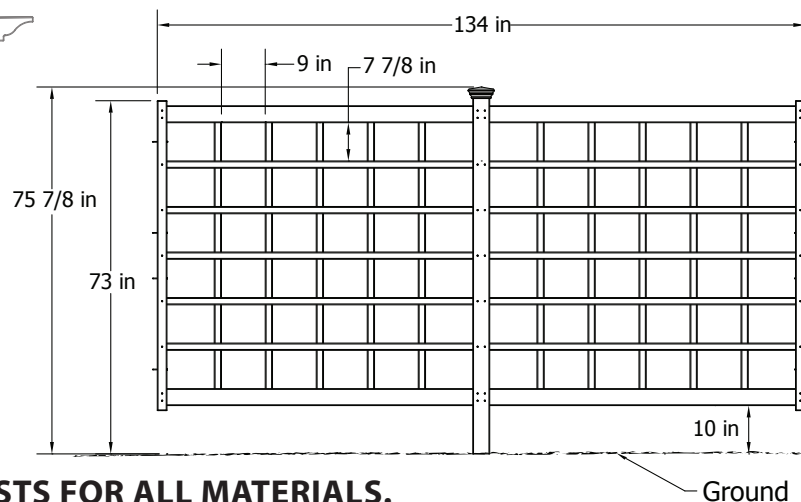
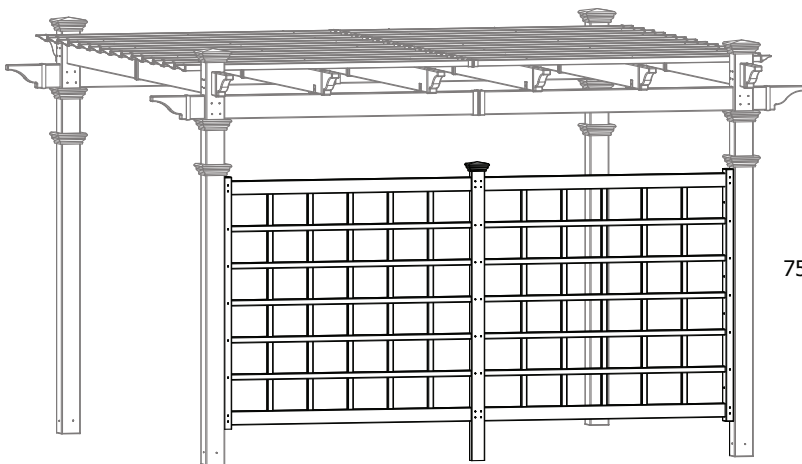


ASSEMBLY INSTRUCTIONS

12' Pergola Trellis

The 12' Pergola Trellis is designed to be installed with our 12' x 12' Pergola with an opening of 134" between the posts.



Please read through before starting assembly.

IMPORTANT: CHECK THE INSIDE OF YOUR POSTS FOR ALL MATERIALS.

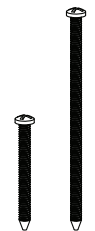
Check Box for These Contents

In the event of missing or defective parts please call our customer service dept. at **1 800 282 9346** (Mon. to Fri. 8:00 AM to 4:00 PM EST).

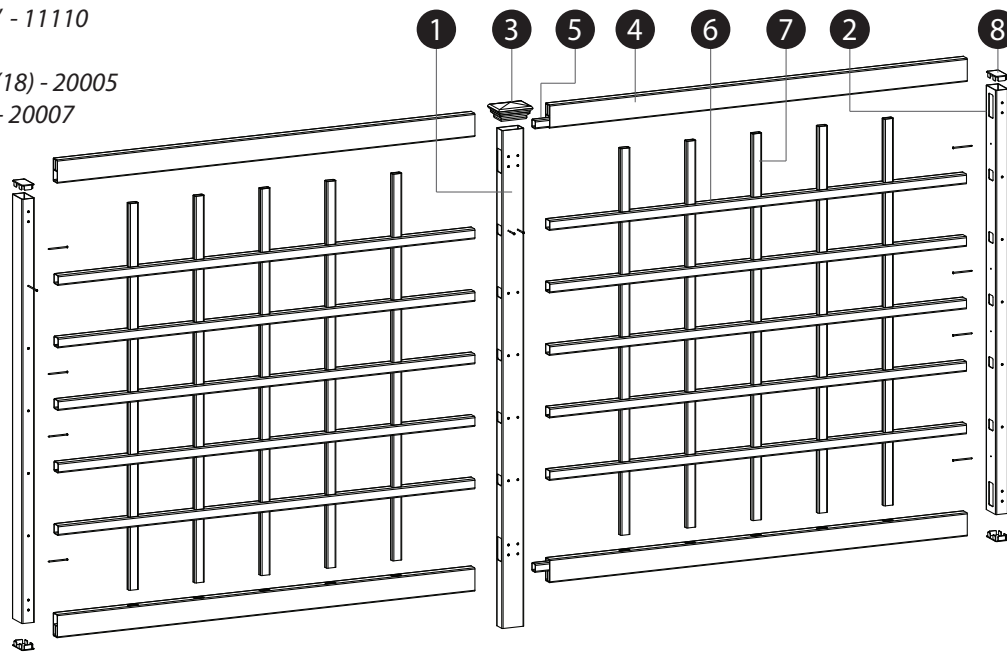
1. Center Post (1) 2" x 3 1/2" x 75" - 11105
2. Pergola Posts (2) 2" x 3 1/2" x 64" - 11106
3. Post Cap (1) - 10611
4. Top and Bottom Rails (4) 1 1/2" x 3 1/2" x 66 7/8" - 11107
5. Rail Inserts (2) 1 1/4" x 1 1/4" x 20 1/2" - 11108
6. Horizontal Spindles (10) 1 1/2" x 1 1/2" x 66 3/4" - 11109
7. Vertical Spindles (10) 7/8" x 1 1/2" x 58 1/4" - 11110
8. 2" x 3 1/2" Flat top Caps (4) - 10615
9. 1 1/2" Self-Auguring Stainless Steel Screw (18) - 20005
10. 3" Self-Auguring Stainless Steel Screw (26) - 20007
11. Tube of Vinyl Glue (1) - 20000



11



9 10
Not to Scale



Tools You Will Need

- Cordless Drill
- Level

Optional Materials

- See note on page 6
- Pressure treated wood 2x4x? (To be modified)
- "L" Bracket (If securing center post to concrete)
- Wood screws for securing modified 2x4

General Information

- Read Instructions through carefully before beginning assembly.
- When assembling components, place on a non-abrasive surface (i.e. shipping box) to avoid scratching.
- We recommend an area approx 5' x 8' for unobstructed assembling.
- You should not need to use excessive force when assembling component.

STEP ONE

Trellis Assembly

1

One by one, insert the five vertical spindles through the routed holes on the five horizontal spindles as shown.

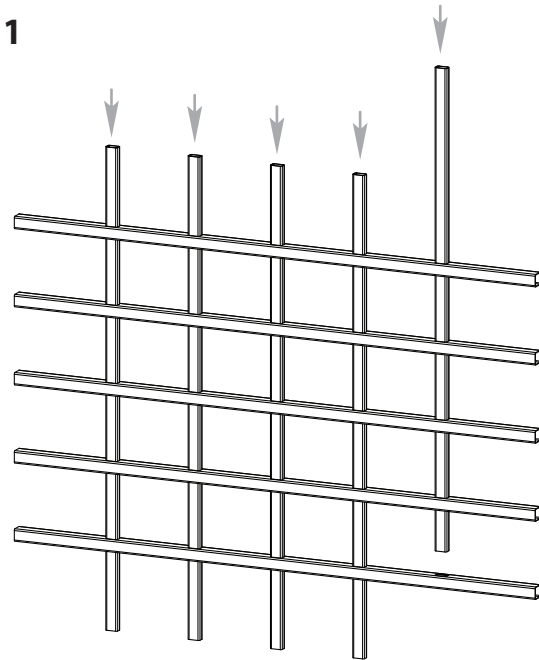
2

Insert the top and bottom rails onto the trellis assembly as shown.

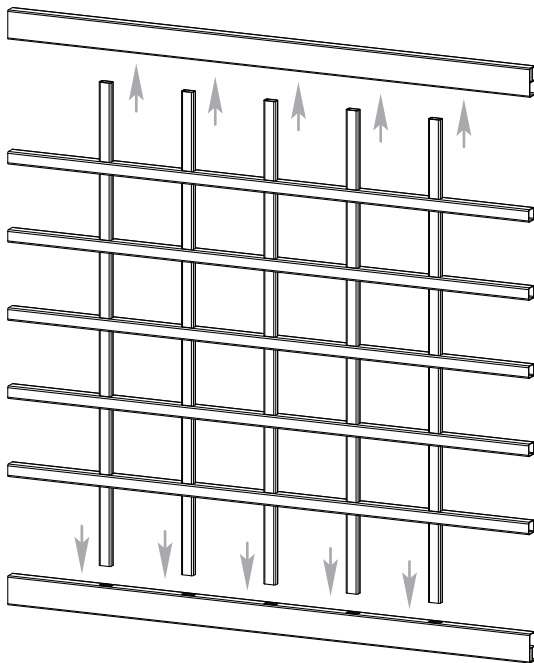
3

Repeat for second trellis assembly.

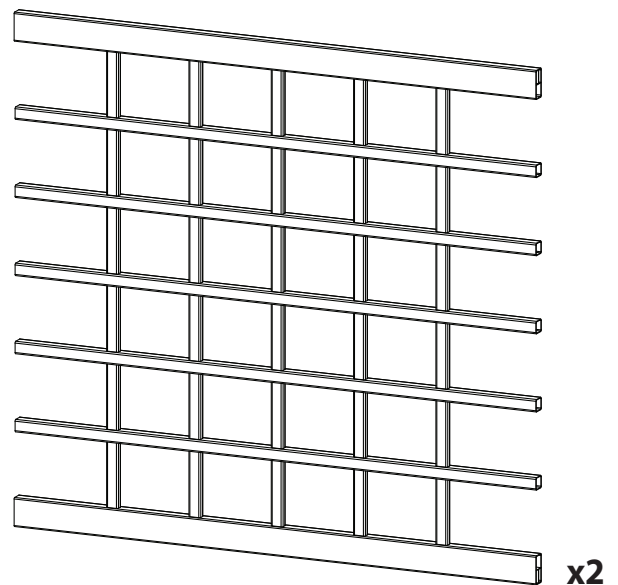
1



2



3



STEP TWO

Pergola Trellis Post Assembly

1

Apply a small amount of glue on each of the tabs on the 2" x 3 1/2" flat top post cap as shown.

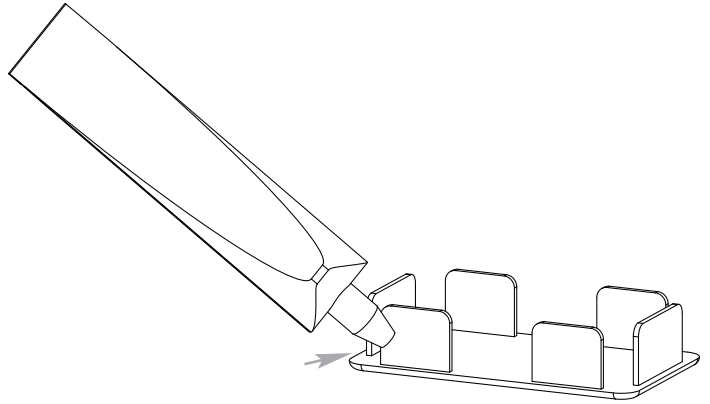
2

Install the flat top post caps onto the ends of the pergola post as shown. Press for about 30 second to allow the vinyl glue to set.

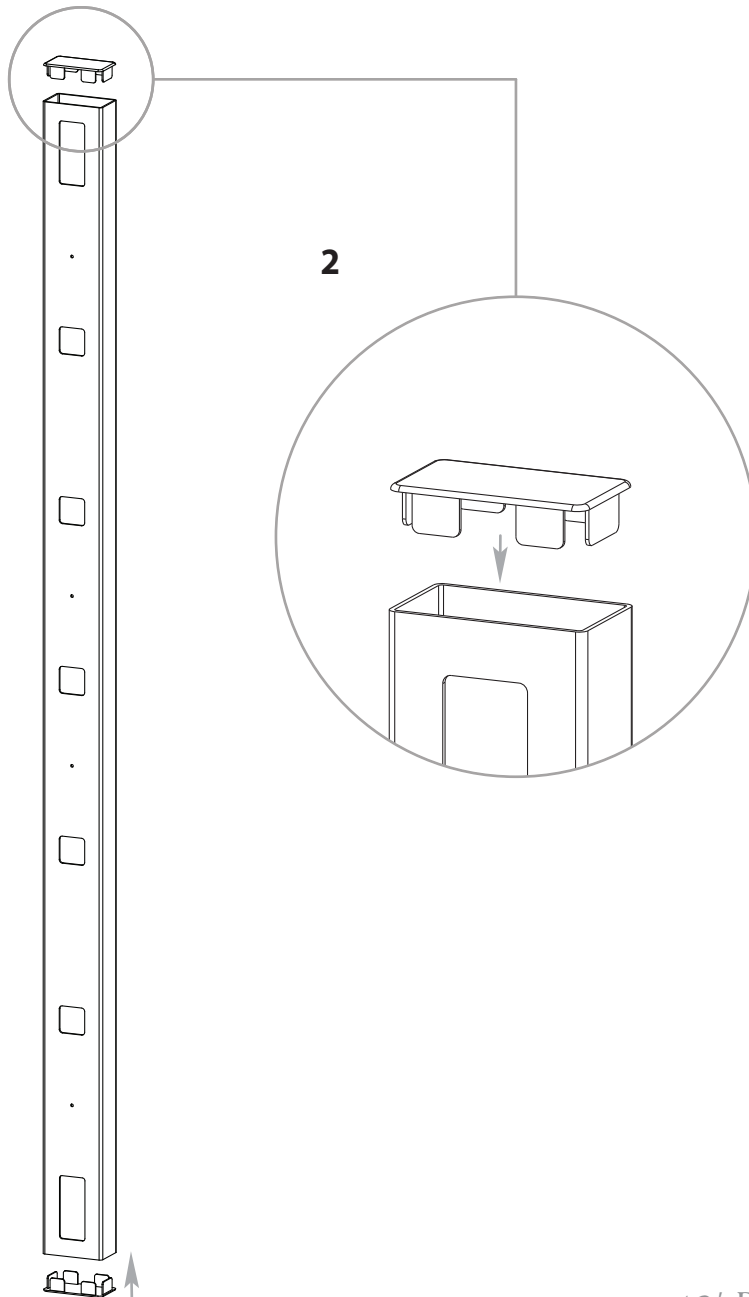
3

Repeat for both pergola posts.

1



2



STEP THREE

Pergola Trellis Assembly

1

Lay one of the trellis assemblies on the floor and insert the trellis assembly into the pergola post through the routed holes as shown. Make sure all the horizontal spindles and rails are bottomed out inside the pergola post.

2

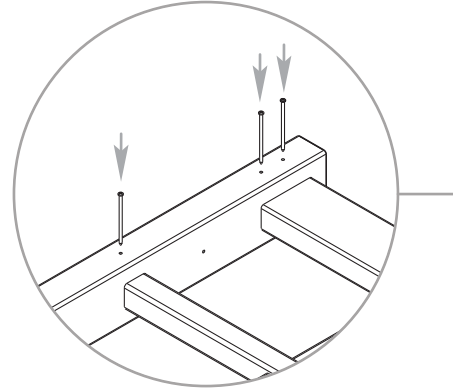
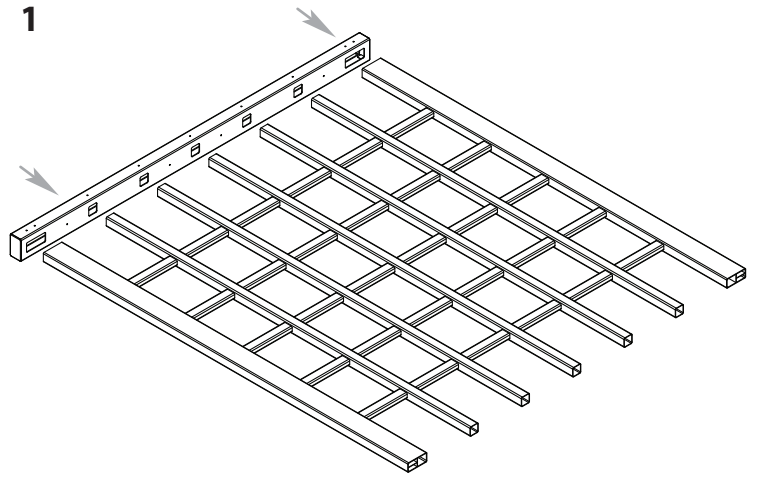
Fasten the pergola post to the horizontal spindles and rails using nine, 3 in. screws as shown. Repeat the two steps above for second wall half.

3

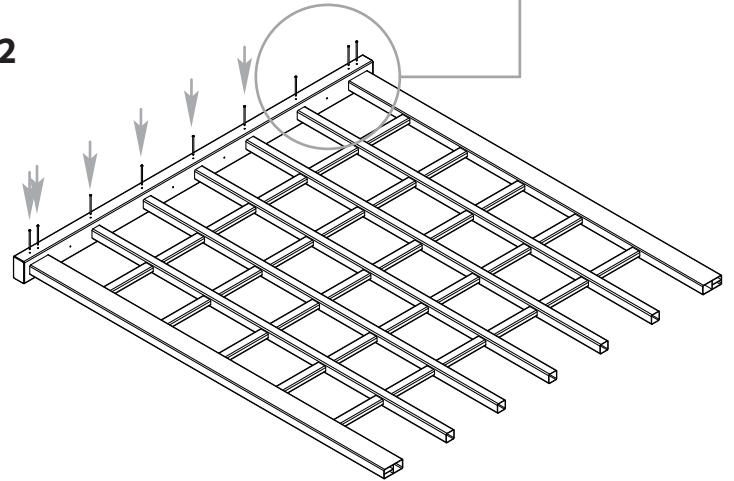
Insert the rail inserts into the cavity in the top and bottom rails as shown. Insert until the rail bottoms out on the vertical spindle.

4

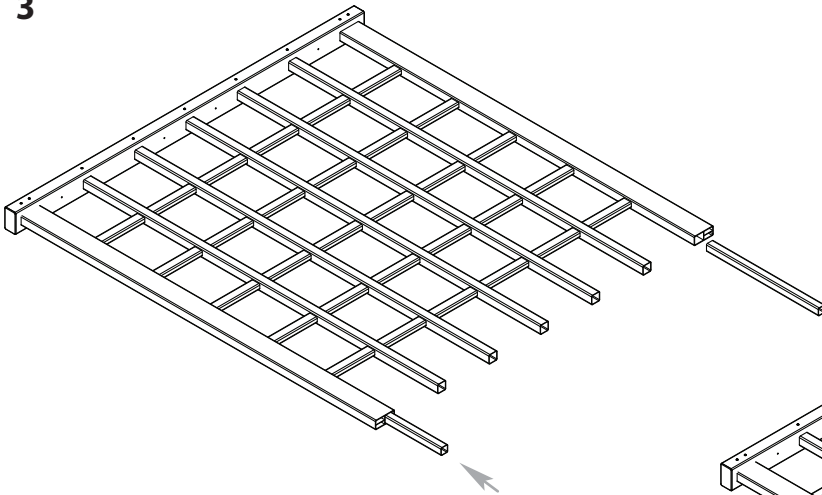
Insert the assembly through the centre post as shown. Note the locations of the pre-drilled holes. For aesthetics purposes, all the screws should be on the same side of the wall.



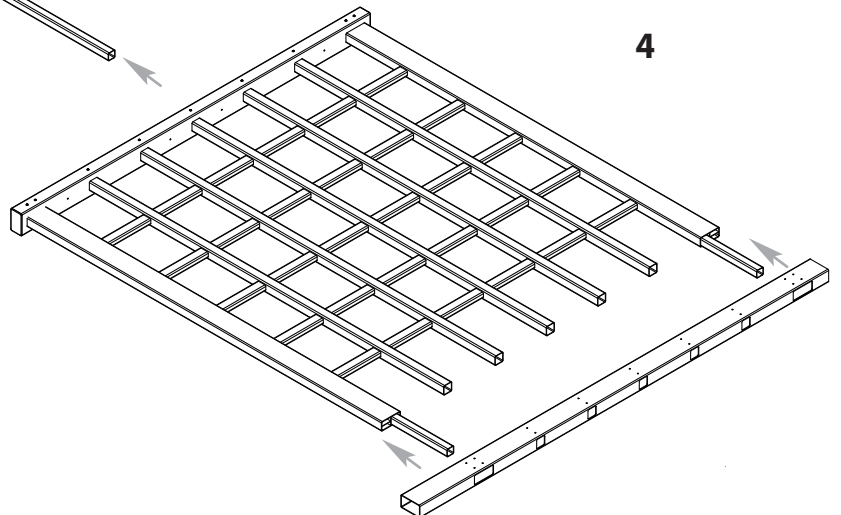
2



3



4



STEP THREE

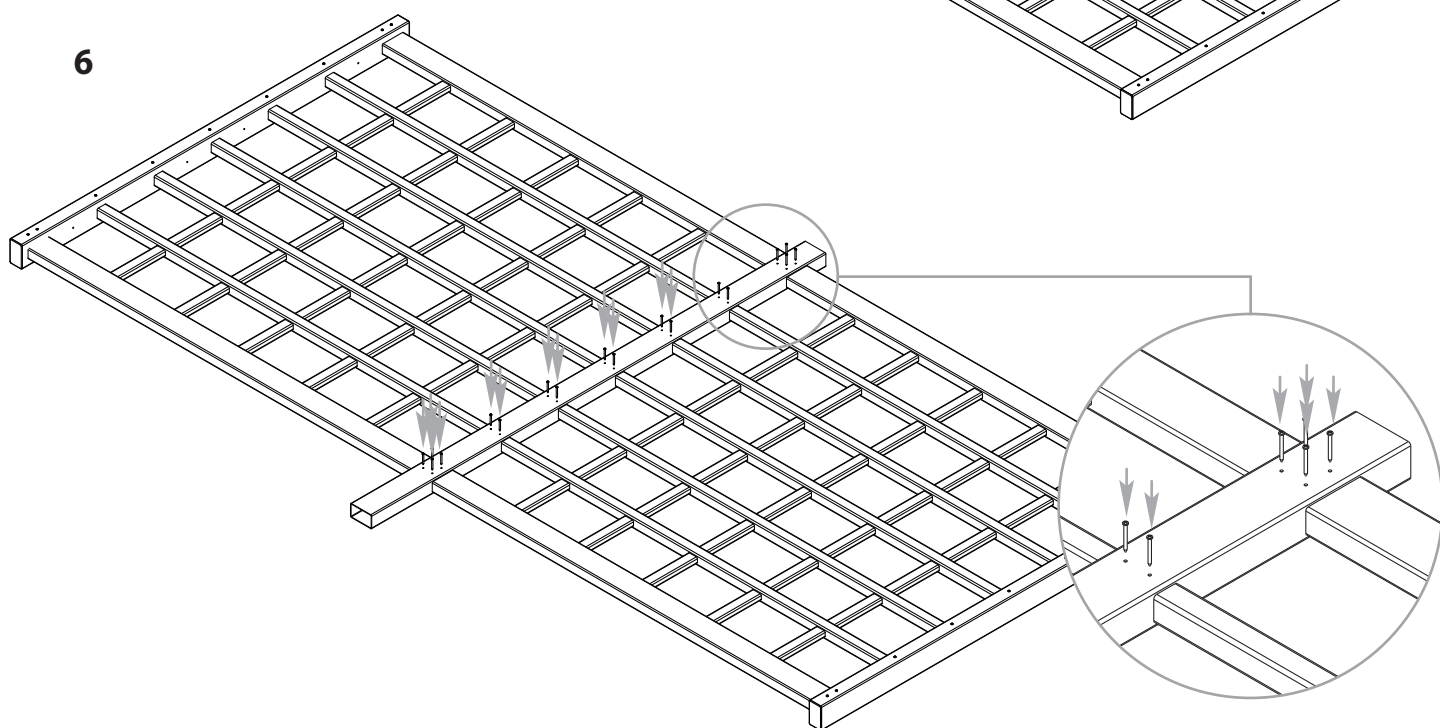
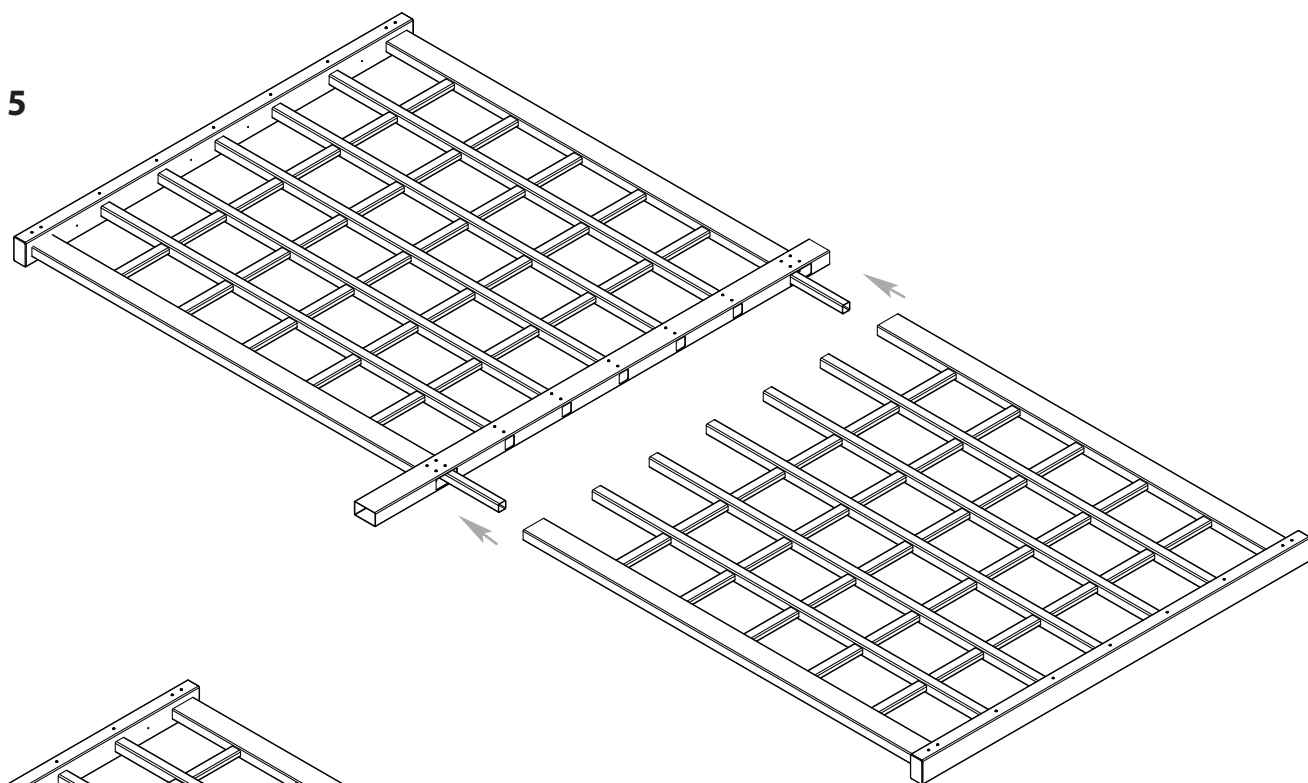
Pergola Trellis Assembly

5

Attach the second wall half to the wall assembly through the centre post and rail insert as shown. Make sure all the horizontal rails butt up against each other.

6

Fasten the assembly together using 18, 1 1/2 in. screws through the pre-drilled holes on the center post as shown. Again, make sure all the screws are on the same side of the wall.



STEP FOUR

Pergola Trellis Installation

1

With a helper, stand up and move the pergola trellis to its final location as shown. The pergola trellis should be centered on the pergola main columns.

2

Using a level, make sure the trellis post is plumb and fasten to the pergola main columns using four, 3 in screws per side.

3

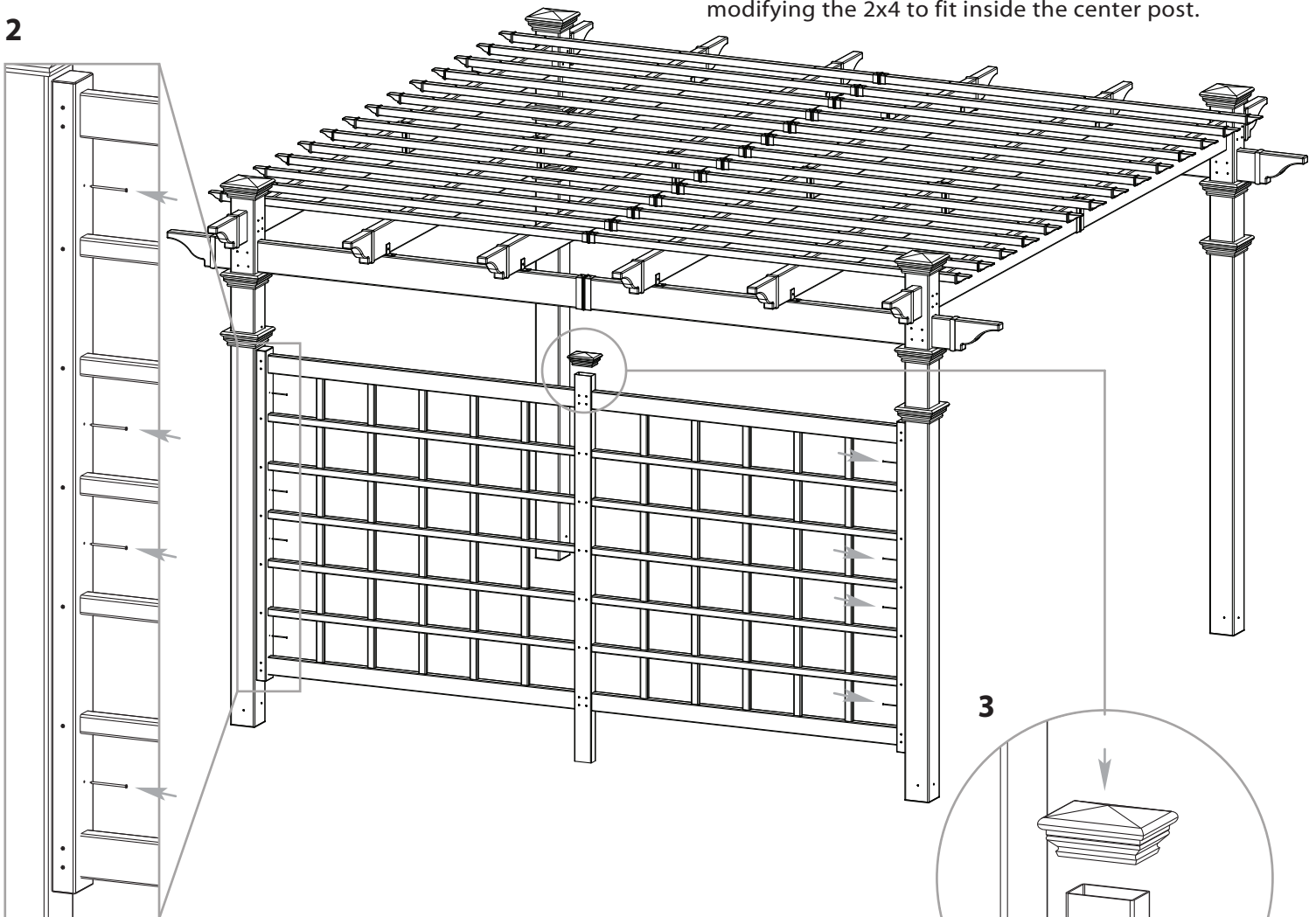
Attach the post cap onto the center post.

Note: The center post of the pergola trellis was designed to rest on top of the ground. If additional support is required, consider inserting a pressure treated 2x4 (cut to 3.25" wide) into the bottom of the center post (up to 10"). Secure it inside the center post with screws (2x4 wood and screws purchased separately).

The length of the modified 2x4 will vary, depending on one of the following:

- If the pergola trellis is being installed over ground, extend the length of the modified 2x4 into the ground at least 18".
- If the pergola trellis is being installed over an accessible deck, cut the modified 2x4 flush within the bottom of the center post. Secure it to the deck with wood screws from underneath the deck, through the deck boards, into the modified 2x4 (purchased separately).
- If the pergola trellis is being installed over a concrete patio, consider securing the modified 2x4 to the concrete with a galvanized steel "L" bracket (purchased separately). Be sure to factor in the thickness of the "L" bracket when modifying the 2x4 to fit inside the center post.

2



New England
Arbors
Leadership by Design