

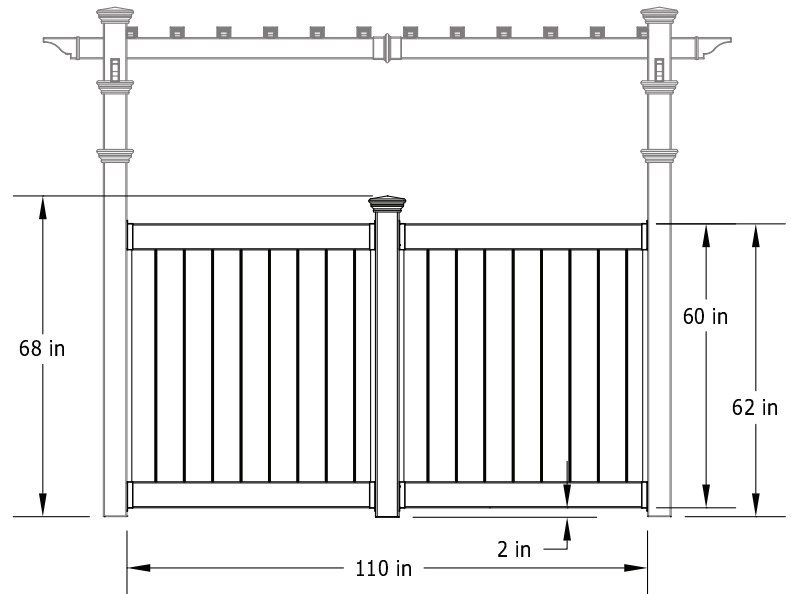
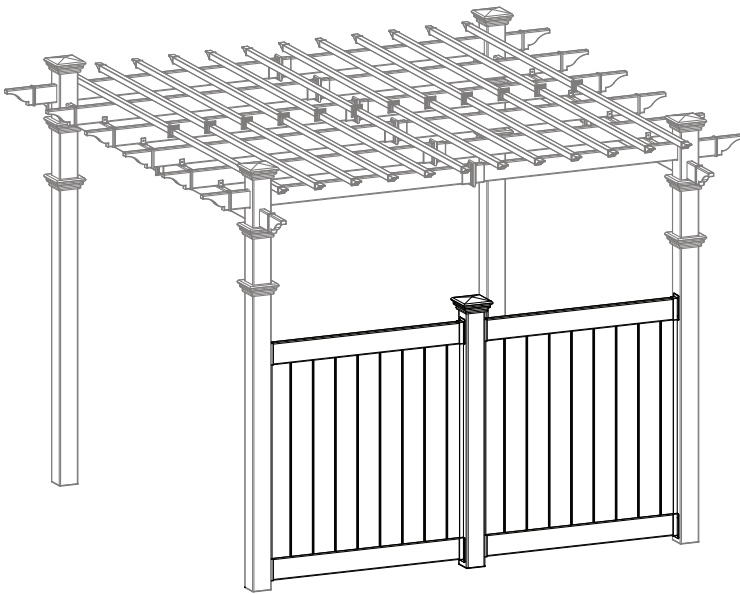
# ASSEMBLY INSTRUCTIONS

New England  
Arbors

Leadership by Design

www.newenglandarbors.com

## 10'x10' Flat Top Pergola Wall Instructions

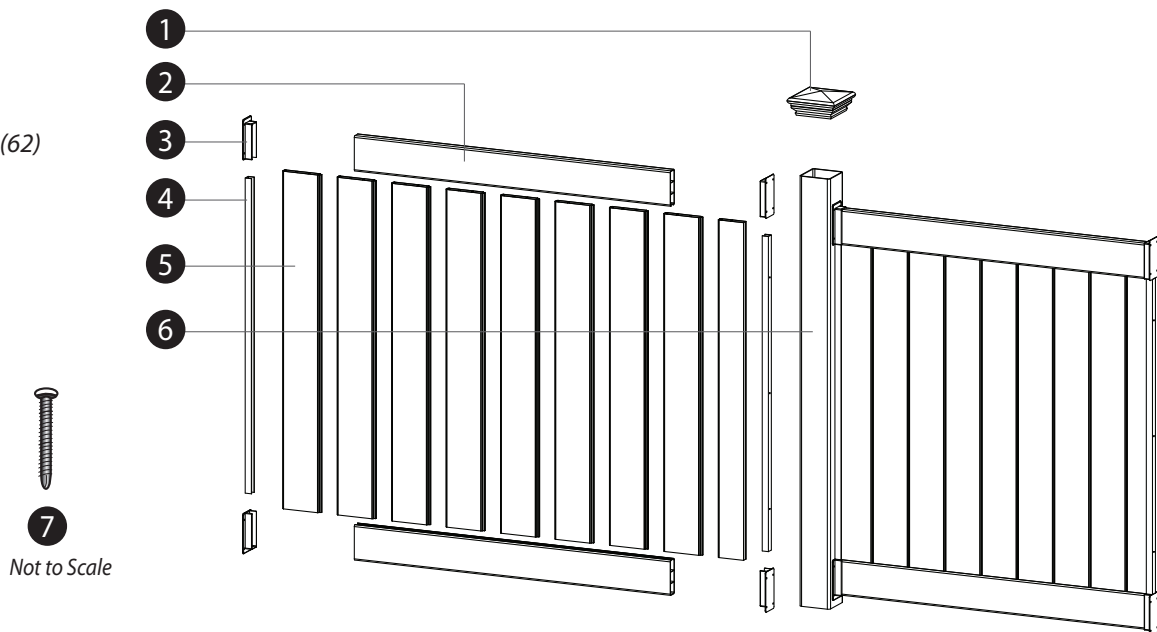


*Please read through before starting assembly.*

### Check Box for These Contents

In the event of missing or defective parts please call our customer service dept. at **1 800 282 9346, ext #20** (Mon. to Fri. 8:00 AM to 4:00 PM EST).

1. Post Cap (1)
2. Top and Bottom Rails (4)
3. Wall Brackets (8)
4. U-Channel (4)
5. Wall Boards (18)
6. Post (1)
7. 1 1/2" Stainless Steel Screws (62)



### General Information

- **Read Instructions through carefully before beginning assembly.**
- When assembling components, place on a non-abrasive surface (i.e. shipping box) to avoid scratching.
- We recommend an area approx 4'x 8' for unobstructed assembling.
- You should not need to use excessive force when assembling components.

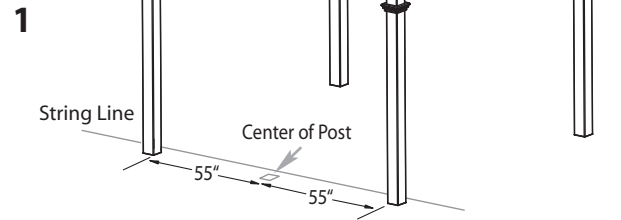
# Privacy Fence Panel Assembly & Installation

## STEP ONE

### Install the Middle Post

1

Measure and mark out the location of the wood 4x4 post using string or chalk line. Center of 4x4 wood post should be located between two pergola columns.



## STEP TWO

### Install Wood Supporting Posts Directly into the Ground

1

After you have determined where the posts will be located, excavate 10" diameter x 36" deep post holes.

2

After holes are dug and cleaned, place the 4x4 wood post (not included) into a hole ensuring it's level and square to string lines. The final post height should be no more than 67" out of the ground. If a post is higher because of obstructed excavation of footings, please cut down in height accordingly.

3

Fill the vacant hole with pre-mixed concrete all the way to within 3" of the top of the hole.

If the middle post will be going onto an existing concrete or deck, then follow the next step by using a bolt down bracket (sold separately):

### Wood Post Installation Using Bolt Down Bracket for Concrete or Wood Surface.

1

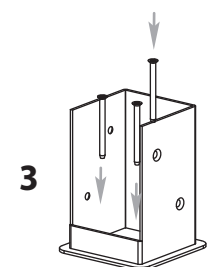
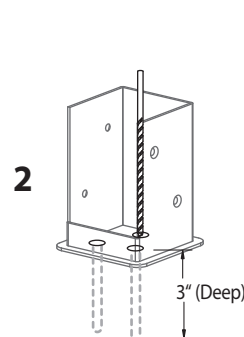
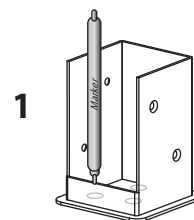
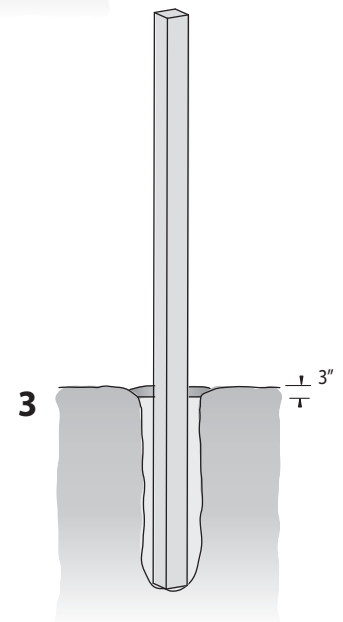
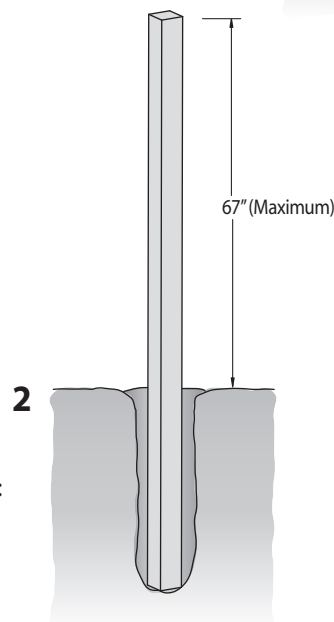
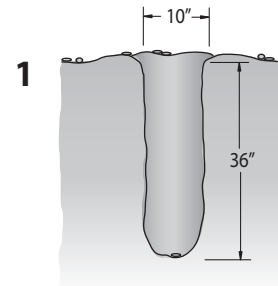
Mark out the location of bolt down bracket holes using the base of the bracket

2

Using the 5/32" masonry drill bit included in your bolt down bracket kit, drill 3" deep holes to allow installation of 2 1/2 concrete screws included in your kit.

3

Proceed to install three 2 1/2 concrete screws into the bottom base of the bolt down bracket.



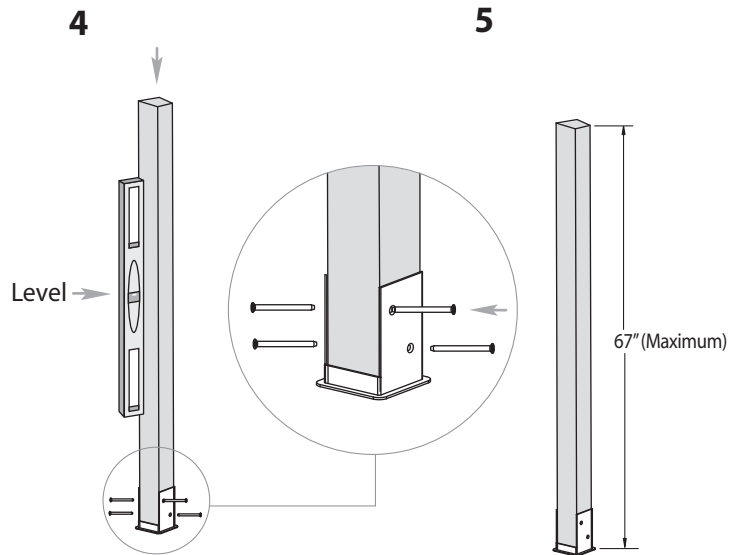
**Wood Post Installation Using Bolt Down Bracket for Concrete or Wood Surface (continued)**

**4**

With the four post brackets installed plumb, proceed to set a 4x4x5 1/2' wood post in place. Secure using the concrete screws included in the kit.

**5**

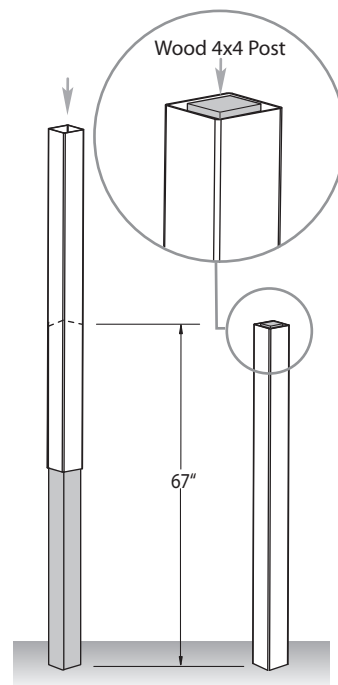
Posts should not exceed 67" in height. Please cut down in height if necessary.



**STEP THREE**

**Install the Middle Post**

Guide the vinyl post over the wood post and fasten with two screws; one at the base and one at the top of the post.

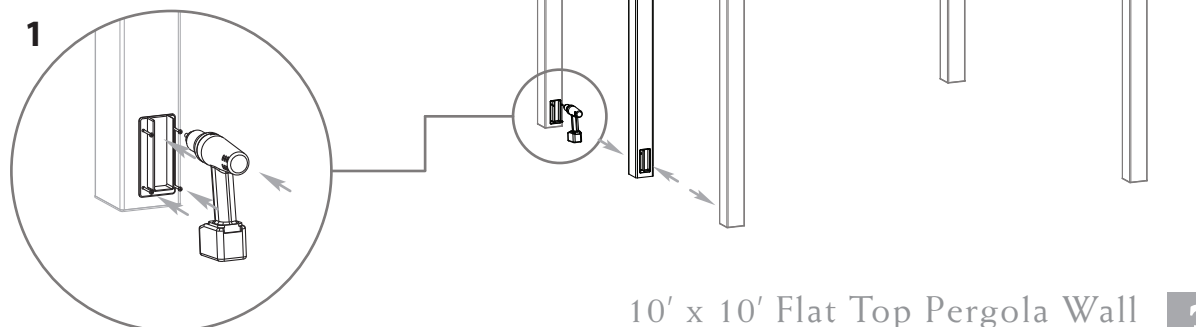


**STEP FOUR**

**Install the Wall**

**1**

Mount the brackets facing up as shown. The bottom of the brackets is to measure 1 1/8" from the ground. Fasten with four 1 1/2" screws per bracket.



## STEP FOUR

### Install the Wall

2

Slide the horizontal rails into the brackets with the slots facing upwards as shown.

3

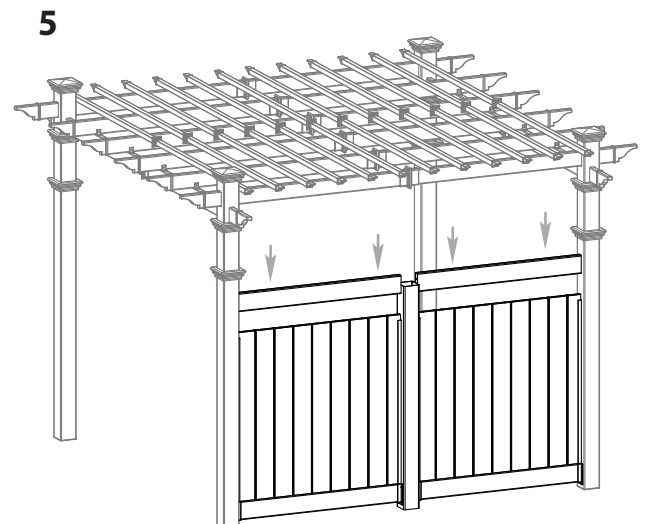
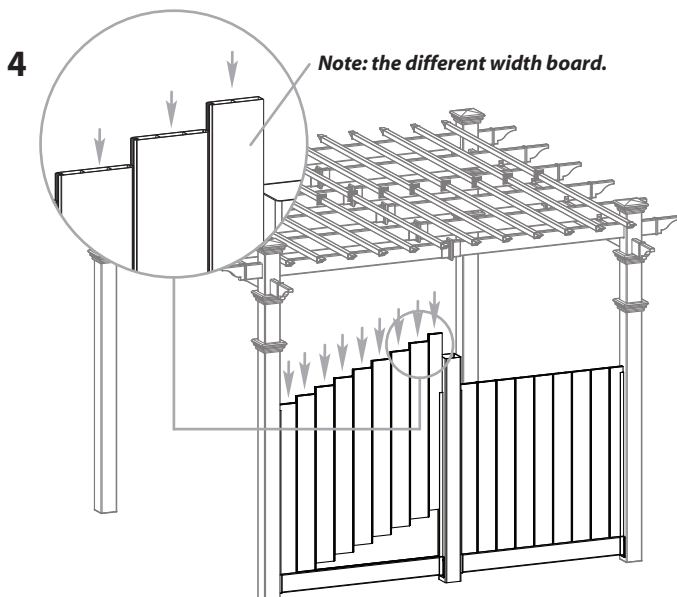
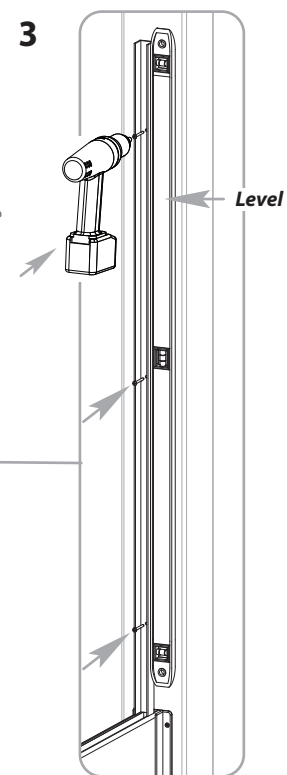
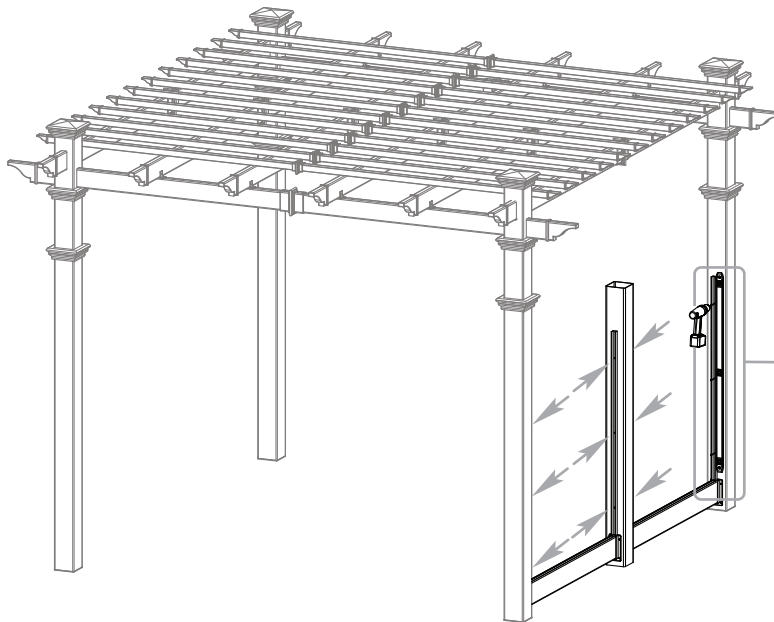
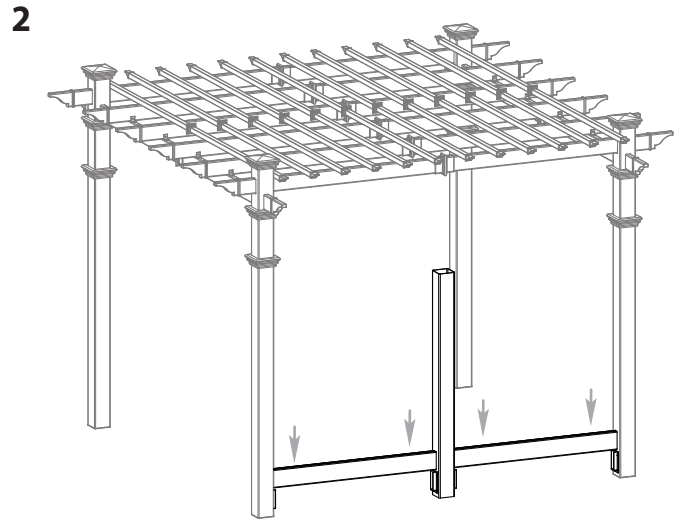
Place a U-Channel against each post as shown. Line up the channel with the opening slot on the horizontal rail and while ensuring the channel is level, fasten each channel with three screws as shown.

4

Insert the wall boards one by one as shown. Note that there will be a wall board of different width for each of the two sections.

5

Place the top horizontal rail over the board walls as shown.



## STEP FOUR

### Install the Wall

**6**

Slide the brackets onto the top horizontal rails as shown. Note the direction of the opening on the bracket.

**7**

Fasten all four brackets with 4 screws each as shown.

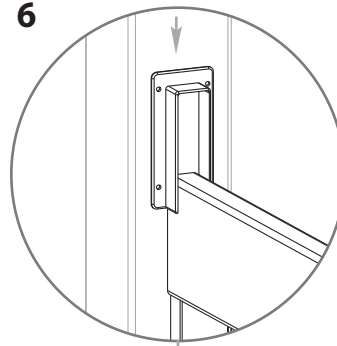
**8**

Fasten the top and bottom horizontal rails to the brackets using 2 screws per bracket as shown. One screw on the front and one screw on the back side of the bracket.

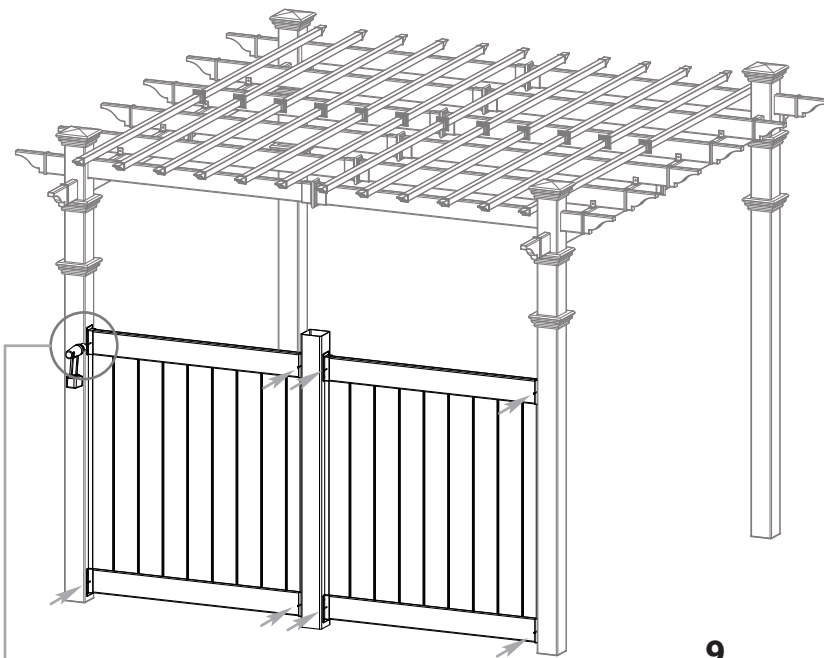
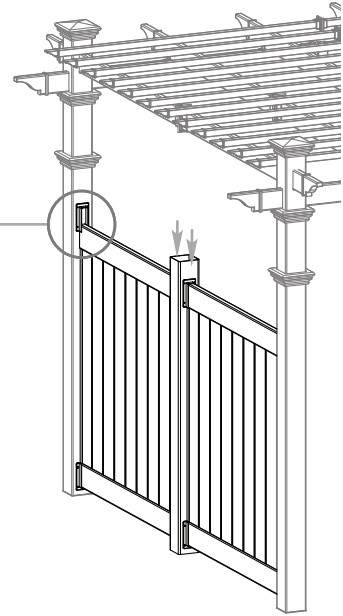
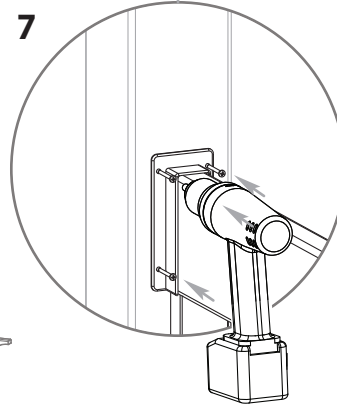
**9**

Attach the post cap to the middle post as shown.

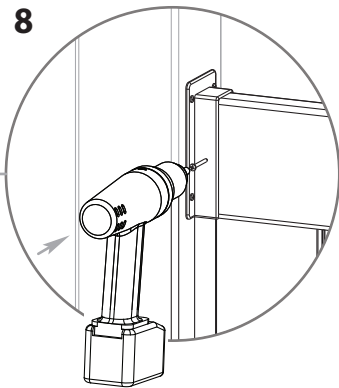
**6**



**7**



**8**



**9**

