



Our Kits Include...

SHEDS



SCREEN ROOMS



AWNINGS



SPECIALTY ITEMS



And so much more...



Awning Installation Instructions

WARNING: Failure to follow these instructions could result in PERSONAL INJURY!

WARNING: Do not remove the plastic safety sleeves from the lateral arms until instructed to do so.

Before starting

1. Before beginning, please familiarize yourself with the components of the awning as shown in Figure 1, and the supplied Fasteners / Part List shown in Figure 1A and 1B. Find the mounting brackets (wall or soffit) in the package (they are separated from the awning itself). If you are mounting your awning on a soffit, please go to [Soffit Mount](#) for this type of installation.

Note: This figure shows awning with motor installed on the right as you face the house.

Note: Number of brackets supplied with awning will vary depending on awning size.

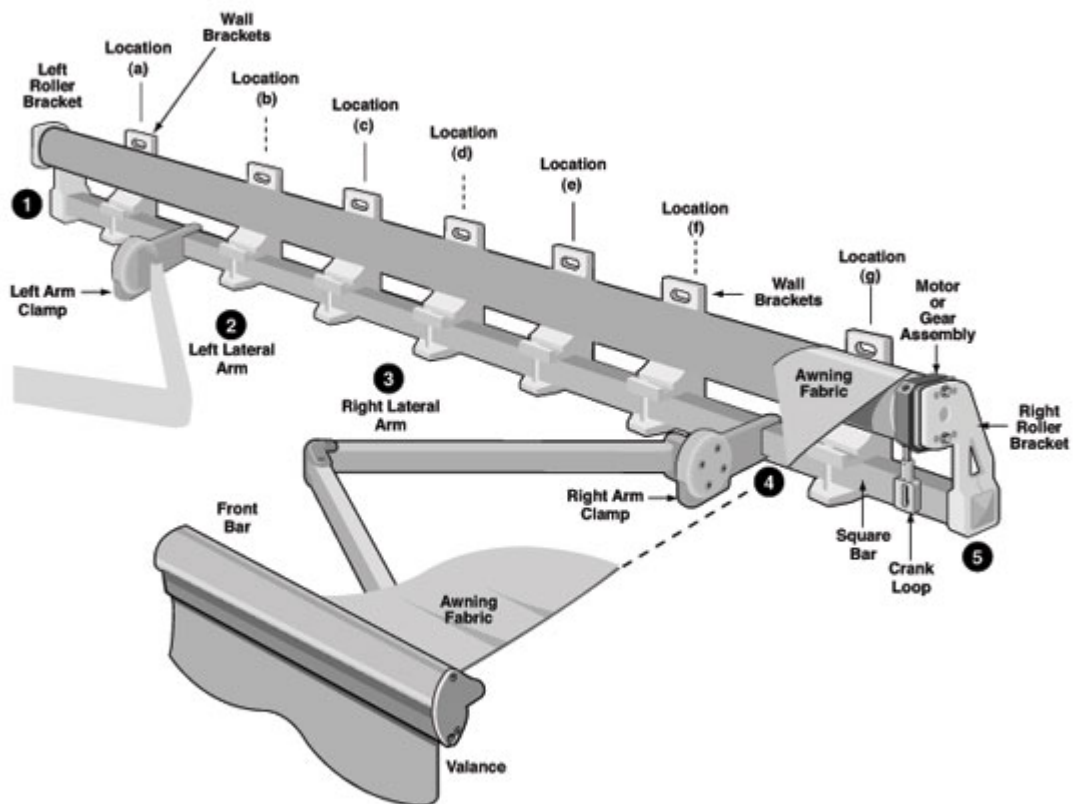


Figure 1

SHEDS



SCREEN ROOMS



AWNINGS



SPECIALTY ITEMS



And so much more...

Figure 1a
Bracket locations for 10'-13' wide awnings.

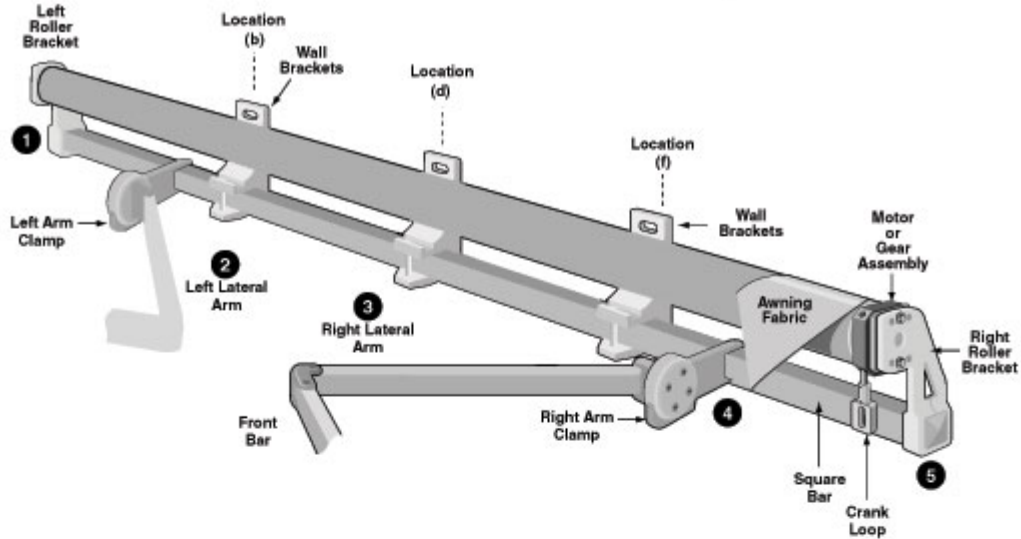


Figure 1b
Bracket locations for 14'-16' wide awnings.

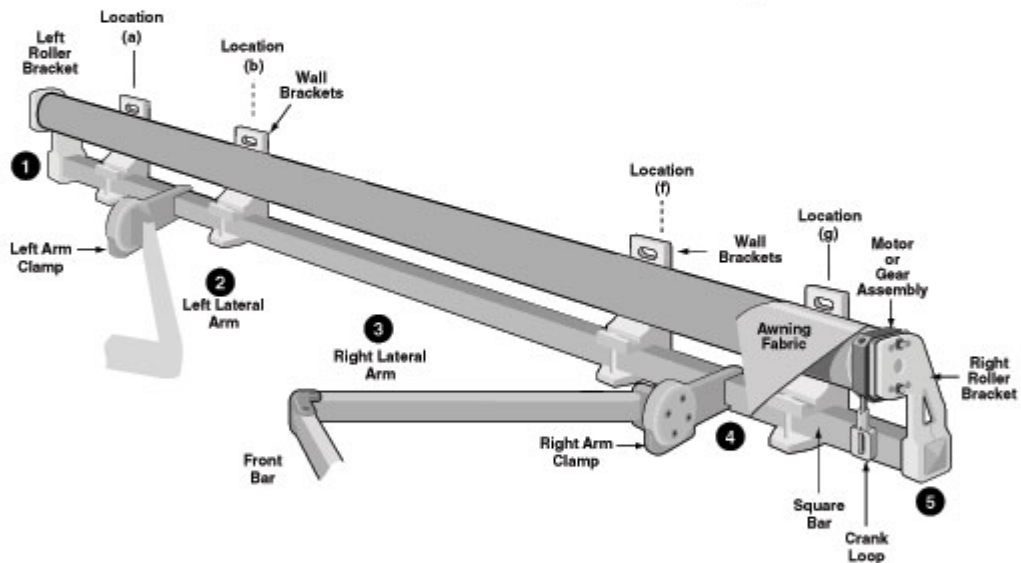
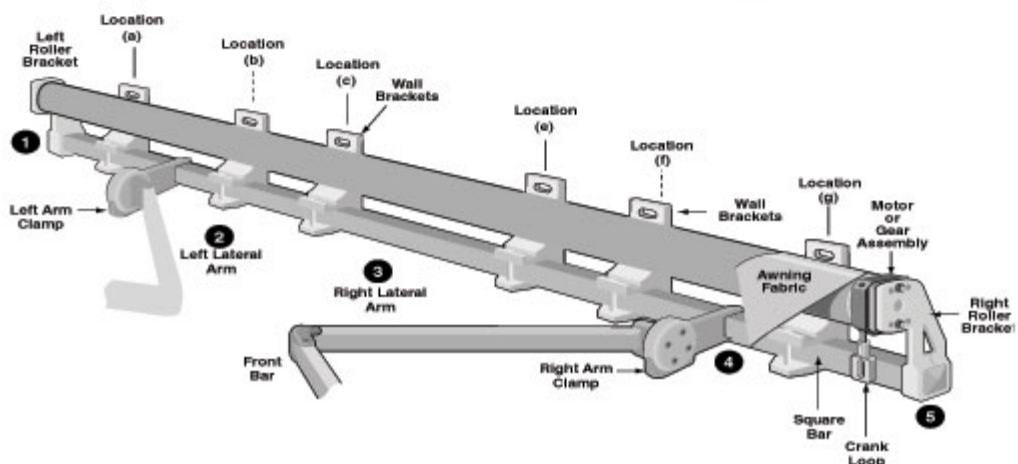


Figure 1c
Bracket locations for 17'&18' wide awnings.



SHEDS



SCREEN ROOMS



AWNINGS



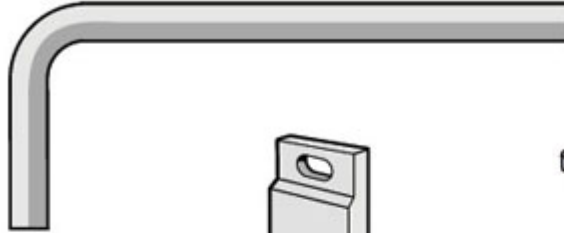
SPECIALTY ITEMS



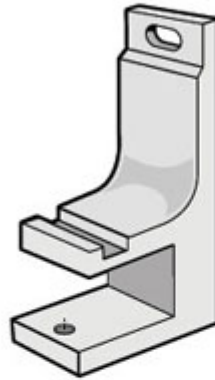
Supplied Fasteners / Part List



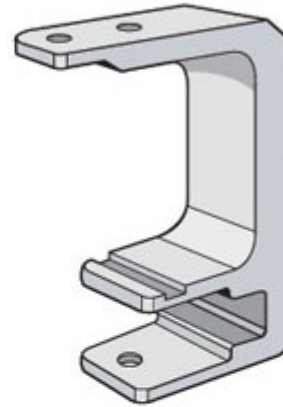
Crank Wand
Qty 1



6 mm Allen Wrench
Qty 1



Wall Bracket
10' - 13' : Qty 3
14' - 16' : Qty 4
17' - 18' : Qty 6



Soffit Bracket
10' - 13' : Qty 3
14' - 16' : Qty 4
17' - 18' : Qty 6



3/8" Flat Washer
(12' & 13' : Qty 6 ~ 14', 15' & 16' : Qty 8
17' & 18' : Qty 12)



3/8" x 4" Lag Screw
(12' & 13' : Qty 6 ~ 14', 15' & 16' : Qty 8
17' & 18' : Qty 12)



5/16" Flat Washer



5/16" Retaining Nut



5/16" x 2-3/4" Retaining Hex Bolt

(10' - 13' : Qty 3 ~ 14' - 16' : Qty 4 ~ 17' - 18' : Qty 6)

And so much more...

Additional Parts List - Motorized Models Only

SHEDS



SCREEN ROOMS



AWNINGS



SPECIALTY ITEMS



And so much more...

Motor Installed
on Left Side

Remote Transmitter
Qty 1

Motor Installed
on Right Side

Wall Mount for
Remote Transmitter
Qty 1

Note: Remote Transmitter is packaged in a clear bubble pack and taped to the Motor Power Cord.

Optional Parts List - Masonry, Brick or Concrete Installations

3/8" x 6" Masonry Drill Bit
(For Masonry Walls)
Qty 1

3/8" x 4" Masonry Bolt
(For Masonry Walls)
(10' - 13': Qty 6 - 14', 15' & 16': Qty 8 - 17' & 18': Qty 12)

Tools Required

In your package you will find the following tools: 6mm Allen wrench.

For any type of wall construction you will need an assistant, measuring tape, two step-ladders, 9/16" socket, chalk line (or string), Phillips screwdriver, pencil, level, electric drill and a 1/2" or 13mm wrench and a stud finder.

If you have a wood frame construction with wood, vinyl, stucco or aluminum siding, you will need in addition to the above: 1/8" and 1/4" drill bits.

If you have masonry construction or brick walls, you will need a 1/4" masonry drill bit.

Mounting Height

SHEDS



SCREEN ROOMS



AWNINGS

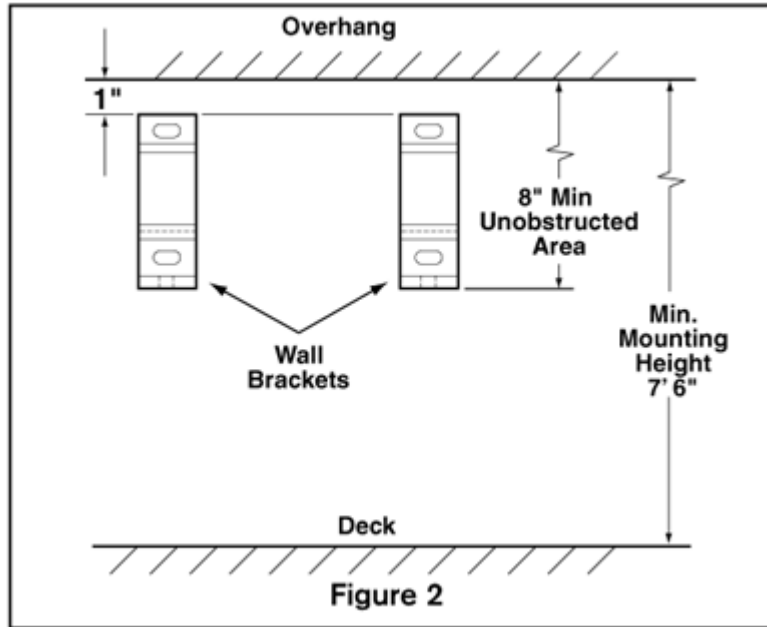


SPECIALTY ITEMS

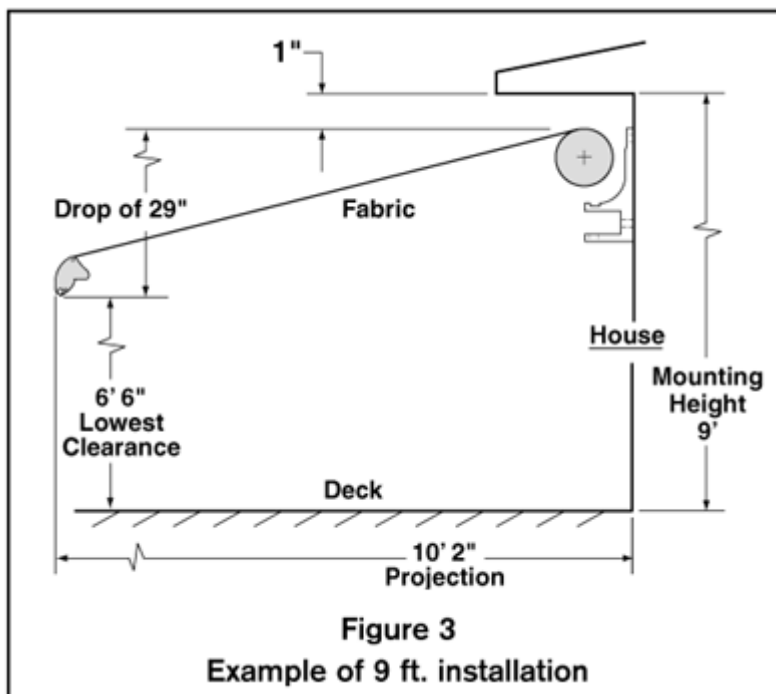


And so much more...

The mounting height is defined as one inch above the highest part of the wall bracket from the deck/ patio floor - see figure 2.



Your awning's pitch (angle) is pre-set at the factory with a drop of 29 inches from the top of the wall brackets to the lowest point at the front bar of the awning. For example: If you mount the awning on the wall at 9 ft. from the deck/patio, the lowest point at the front bar of the awning at full projection will be 6 foot 6 inches - see figure 3. The Awning pitch (angle) can be adjusted after installing the awning.



Note: When making the decision on the mounting height, remember that the awning requires 8 inches of unobstructed area along the whole length of the awning to fit the mounting brackets on your wall - see figure 2.

SHEDS



To assure head clearance at the front of the awning, we recommend to install the awning above 7 foot 6 inches from the deck/ patio, with an optimal mounting height of 9 foot or above.



With the above in mind, decide on the mounting height for your application. If you need help, call our toll-free hot line at 1-800-670-7071.

2. Measure up from the deck/ patio floor on one side and make a mark at your desired mounting height (must be at least 7' 6"). Make a second mark 8 inches below the first mark. The space between these marks must be clear of obstructions, (light fixtures, etc) all along the length of the wall. Using a chalk line or a string, snap a level line on the lower mark for the length of the awning. The bottom of the wall brackets will rest on this lower line.

SCREEN ROOMS



NOTE: For ease of mounting the awning into the brackets, it is very important that the line be straight and level.

Locating the brackets

CAUTION: PROPER LOCATION OF THE BRACKETS IS THE MOST IMPORTANT ASPECT OF THE AWNING MOUNTING. IT IS CRITICAL THAT YOU FASTEN THE MOUNTING BRACKETS TO STUDS, JOISTS, HEADERS OR OTHER MAJOR STRUCTURAL MEMBERS.

AWNINGS



Even a moderate wind exerts great force on the awning and mounting brackets. This is why it is most important that all the brackets will be fastened properly and securely. Proper location will also make it easier to insert the pre-assembled awning into the supporting brackets.



WARNING: FAILURE TO SECURELY FASTEN THE BRACKETS TO THE WALL COULD RESULT IN THE COLLAPSE OF THE AWNING AND CAUSE PERSONAL INJURY.



NOTE: Mount brackets only in the locations recommended for your awning size. (See Fig. 1a - 1c)

NOTE: You will need to use all brackets supplied for secure mounting.

For 10 ft to 13 ft wide awnings, we recommend to install three brackets supplied at the locations (b) (d) and (f). (See Fig.1a) For 14 ft, 15 ft and 16 ft wide awnings, we recommend to install four brackets supplied at the locations (a) (b) (f) and (g) (See Fig. 1b). For 17 ft and 18 ft wide awnings, use six brackets supplied at locations (a) (b) (c) (e) (f) and (g). See Fig. 1c.

SPECIALTY ITEMS



Location (a) -- Between the left end of the awning and the left arm, on the stud nearest to the left end.

Location (b) -- Between the two arms, on the nearest stud to the left arm.

Location (c) -- On the nearest stud midway between the middle point of the awning and the left arm.

Location (d) -- The nearest stud to the middle point of the awning.

Location (e) -- On the nearest stud midway between the middle point of the awning and the right arm.

Location (f) -- Between the two arms, on the nearest stud to the right arm.

Location (g) -- Between the right end of the awning and the right arm, on the stud nearest to the right end.

And so much more...

SHEDS



For wall mount on wood frame walls, continue with step 3.

For wall mount on masonry, brick or concrete walls, proceed to step 9.

Installing the brackets on wood frame walls w/wood, vinyl, stucco or aluminum siding



3. On the chalk line you have marked on the house, mark the left and the right ends of the awning (points 1 and 5 in figure 1). With the exception of the 10' awning, which measures 123" left to right, all other awnings measure exactly like their defined size. (For example, a 12ft awning measures 144" from left to right). Using the chart below, mark on the chalk line the middle point and the points where the left and right arm clamps will be located (points 2, 3 and 4 in figure 1 respectively).

NOTE: The brackets cannot be installed in the area where the arm clamps are located.

SCREEN ROOMS



Size	Left arm Clamp	Middle point	Right arm Clamp
10 ft	1 - 1/4" from left end	61"	1 - 1/4" from right end
11 ft	7" from left end	66"	7" from right end
12 ft	8" from left end	72"	8" from right end
13 ft	14" from left end	78"	14" from right end
14 ft	20" from left end	84"	20" from right end
15 ft	26" from left end	90"	26" from right end
16 ft	32" from left end	96"	32" from right end
17 ft	38" from left end	102"	38" from right end
18 ft	44" from left end	108"	44" from right end

AWNINGS



4. **YOU MUST NOW LOCATE THE STUDS, JOISTS OR HEADERS IN THE AREA IN WHICH THE BRACKETS MUST BE INSTALLED AS EXPLAINED EARLIER IN "LOCATING THE BRACKETS"**. If your awning is going on a wall that has a window or a door use these steps to locate the studs inside your home and transfer those measurements to the outside. Get a roll of duct tape or a similar tape. From inside your home on the wall that your awning will be installed on place a piece (about 6" strip) of the duct tape vertically on the window pane. Now using a stud finder (be sure to read the instructions before usage) locate a stud on the same inside wall, and mark the center of the stud. Measure from the tape or door to the center of the stud, and write the measurement down. Continue to locate the additional studs and record those measurements. On the outside wall, using the inside measurements, measure from the tape or door to the location of the center of the studs. Mark the center of each stud on which a bracket will be installed with a 7" vertical line.

SPECIALTY ITEMS



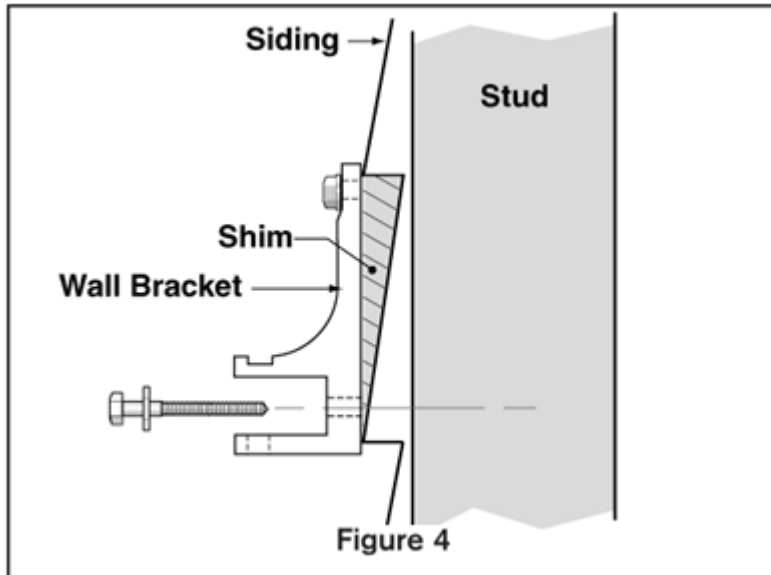
And so much more...

Note: For an attractive finished appearance, you can use wood spacers or shims underneath each bracket to make a flat surface - see figure 4. **Shims are not supplied with your awning.**

SHEDS

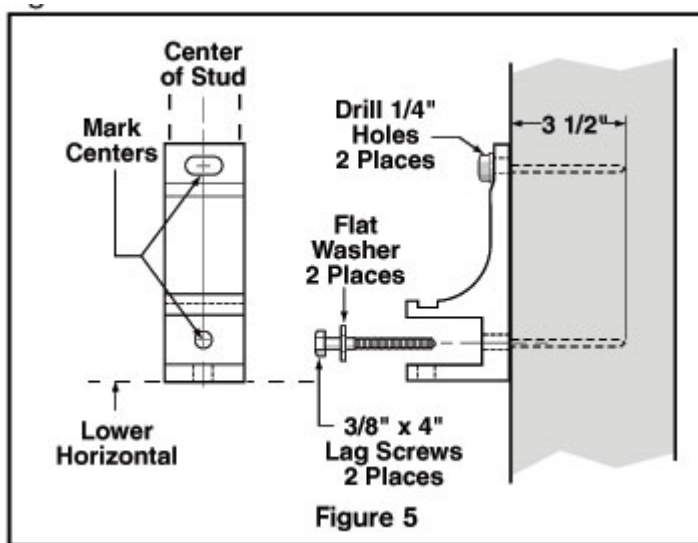


SCREEN ROOMS



5. Position the bracket on the wall (or on the shim), centered over the vertical line, with the bottom of the bracket even with the lower horizontal chalk line. Using a level, plumb the bracket vertically, then mark the top and bottom holes (see figure 5).

AWNINGS



6. Remove the bracket and drill the top hole through the siding block and about 3 1/2" into the stud or joist, using a 1/4" drill bit. This will prevent the framing from splitting while installing the lag screws. Make sure the bottom hole is plumbed with the top hole, then drill the bottom hole.

7. Using a 9/16" socket, install the bracket with the two 3/8" x 4" long lag screws. Use the flat washer provided under the head of the screw. While tightening the lag screws, keep the bracket plumb (use level if needed). Do not over tighten the lag screws; doing so may split the wood framing or weaken the screw -- see figure 5.

8. Repeat for all brackets.

Proceed to step 15.

SPECIALTY ITEMS



And so much more...

Installing the brackets on masonry, brick or concrete walls

SHEDS



SCREEN ROOMS



AWNINGS



SPECIALTY ITEMS

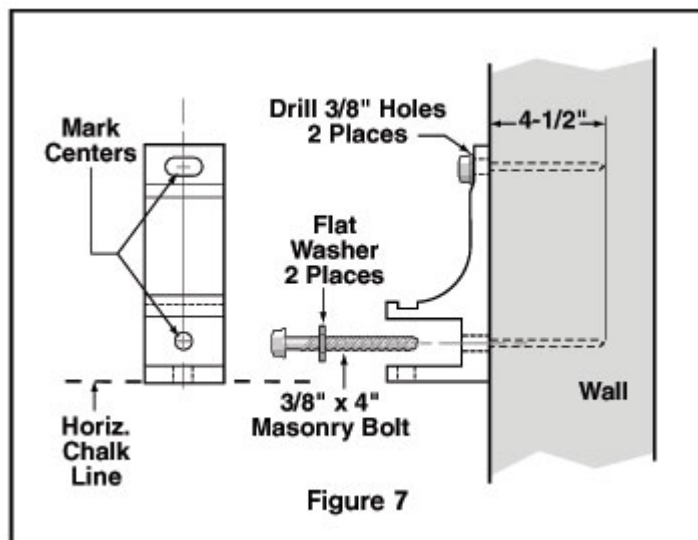


WARNING: SOME BRICK WALLS MIGHT NOT BE STRONG ENOUGH TO SAFELY SUPPORT AN AWNING. WE SUGGEST TO CONSULT A LOCAL HANDYMAN OR CONTRACTOR FOR PROPER MOUNTING. WARNING: FAILURE TO SECURELY FASTEN THE BRACKETS TO THE WALL OR FAILURE OF THE WALL TO SUPPORT AN AWNING COULD RESULT IN THE COLLAPSE OF THE AWNING AND CAUSE PERSONAL INJURY.

9. On the chalk line you have marked on the house, mark the left and the right ends of the awning. With the exception of the 10' awning, which measures 123" left to right, all other awnings measure exactly like their defined size. For example, a 12ft awning measures 144" from left to right. Using the chart above, mark on the wall the location of the brackets and draw a 7" vertical line at each location.

Size	Loc. (a)	Loc. (b)	Loc. (c)	Loc. (d)	Loc. (e)	Loc. (f)	Loc. (g)
10ft	N/A	5" from end	N/A	61"	N/A	5" from end	N/A
11ft	N/A	10" from end	N/A	66"	N/A	10" from end	N/A
12ft	N/A	14" from end	N/A	72"	N/A	14" from end	N/A
13ft	N/A	20" from end	N/A	78"	N/A	20" from end	N/A
14ft	5" from end	26" from end	N/A	N/A	N/A	26" from end	5" from end
15ft	5" from end	32" from end	N/A	N/A	N/A	32" from end	5" from end
16ft	5" from end	38" from end	N/A	N/A	N/A	38" from end	5" from end
17ft	5" from end	44" from end	70" from end	N/A	70" from end	44" from end	5" from end
18ft	5" from end	50" from end	76" from end	N/A	76" from end	50" from end	5" from end

10. Position the bracket on the wall, centered over the vertical line, with the bottom of the bracket even with the lower horizontal chalk line. Using a level, plumb the bracket vertically, then mark the two holes (see figure 7).



And so much more...

CAUTION: The masonry fasteners that are supplied with this awning ARE NOT designed for use in the joint between two bricks. They are ONLY to be installed within the main body of a brick, not within 1/2" of an outer edge of the brick (see figure 6). The fasteners are also not suitable for hollow cinder-block type construction or wall surfaces that have deteriorated. Consult a local hardware store for fasteners that fit this type of application. Do not use the supplied masonry fasteners on a Stucco wall.

SHEDS



SCREEN ROOMS



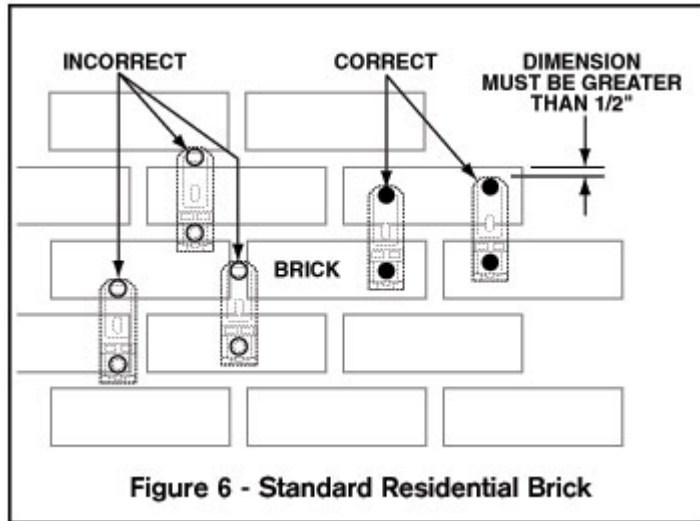
AWNINGS



SPECIALTY ITEMS



And so much more...



11. Remove the bracket and drill a 1/4" pilot hole using a masonry drill bit, about 3" deep for the top hole. Make sure the bottom hole is plumbed with the top hole, then drill the bottom hole.

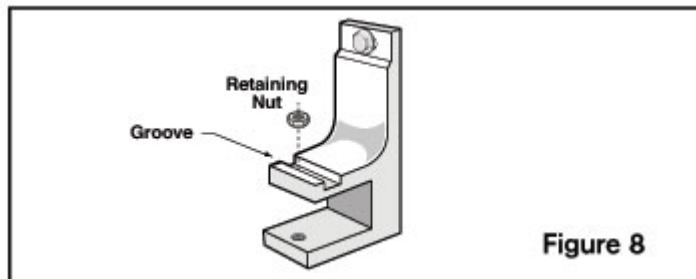
12. Using the 3/8" masonry bit supplied, drill both holes 4-1/2" deep. Do not allow the holes to become tapered or oversized while drilling to this final size.

CAUTION: You must drill these holes in the two specified steps. If you do not follow these steps, the size of the hole can become too large and the bolts will not hold properly.

13. Place a flat washer under the head of the masonry bolt and screw the bolt into the hole using a 9/16" socket - see Figure 7. Repeat for other bolt. While tightening the bolts, make sure to keep the bracket plumb (use a level if needed). Do not over tighten the bolts.

WARNING: YOU MUST BE SURE THE MASONRY BOLTS ARE TIGHT IN THE HOLES. IF NOT, REMOVE THEM AND CONSULT A LOCAL HARDWARE STORE FOR ANCHORS THAT FIT YOUR APPLICATION.

14. Repeat for all brackets.



Securing the awning into the brackets

15. Carefully remove all packaging material from the awning. **DO NOT REMOVE THE PLASTIC SAFETY SLEEVES FROM THE ARMS.** --see Figure 10.

SHEDS



SCREEN ROOMS



AWNINGS



SPECIALTY ITEMS



And so much more...

Note: If you ordered the Awning Protective cover, it is easier to install the fasteners for the cover before securing the awning into the brackets. Please follow the instructions included with the protective cover and then resume with step 16.

16. Separate the wand from the awning.

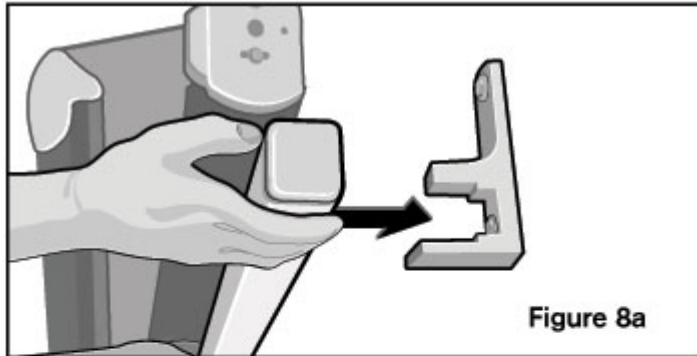


Figure 8a

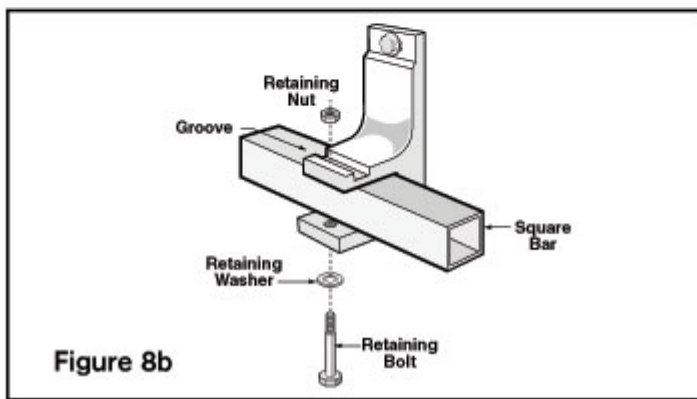


Figure 8b

17. **All Models** - Insert the retaining nut into the special groove in each bracket -- see figure 8.

18. With proper help, lift the awning (with fabric/roller bar above the square bar) into the brackets and position so the ends line up with end points marked on the wall - see figure 8a. Use the following weight chart to decide how much help you need.

Size	Weight Motorized	Weight Vista
10 ft	84 lbs	78 lbs
11 ft	89 lbs	83 lbs
12 ft	96 lbs	90 lbs
13 ft	101 lbs	95 lbs
14 ft	106 lbs	100 lbs
15 ft	111 lbs	105 lbs
16 ft	116 lbs	110 lbs
17 ft	121 lbs	115 lbs
18 ft	126 lbs	120 lbs

19. Push the square bar into the brackets and secure with a retaining bolt in each bracket. Be sure to insert the bolt from the bottom of the bracket up. You might need to apply pressure on the square bar to permit insertion-- see Figure 8b.

SHEDS



SCREEN ROOMS



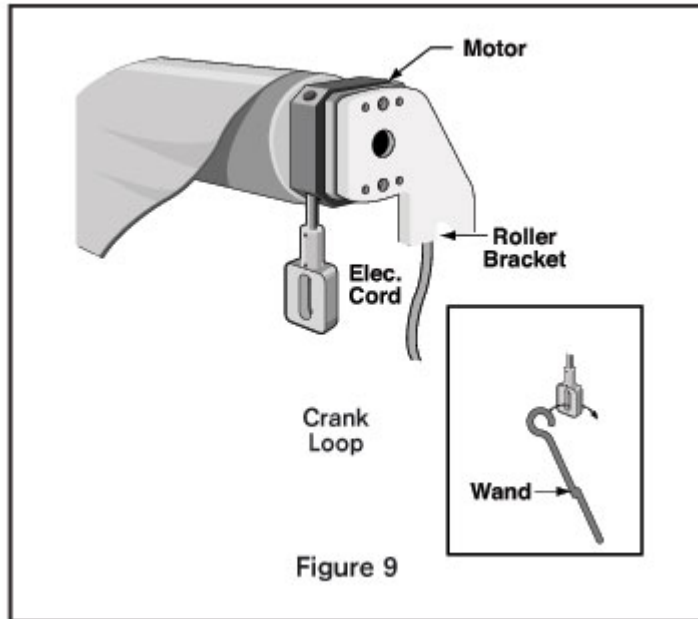
AWNINGS



SPECIALTY ITEMS

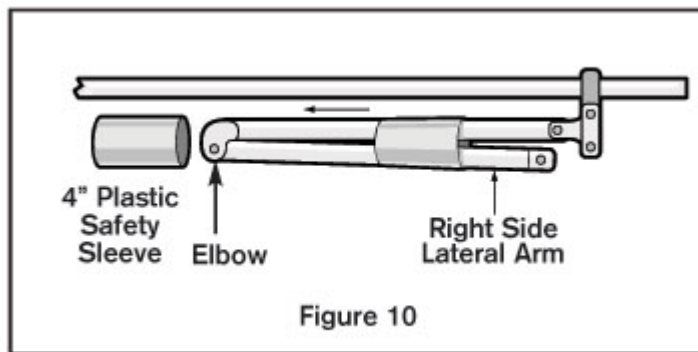


And so much more...



Checking for Proper Operation

Note: For Motorized Awnings - Do not plug the power cord into the outdoor outlet yet.



20. Remove the plastic safety sleeves from the arms-see figure 10.

Motorized Awnings continue with step 21.

For Vista Awnings proceed to step 23.

21. Plug the electric cord into your outdoor ground fault receptacle.

22. We've also supplied a wall holder for the remote transmitter - see figure on page 5. Simply position the wall post at the desired location, mark the hole location and secure with the supplied hardware, if needed.

CAUTION: Do not permit the hand-held remote transmitter to get wet as this can affect its proper operation. It is recommended to install the wall holder inside the house.

Note: During an electrical outage, you can open or close your awning using the crank wand supplied. Just insert the wand into the crank loop and turn - see figure 9.

SHEDS



Test for Proper Operation

Note: The open and close stop limits on the awning motor were set and tested at the factory prior to shipment.

On occasion, these limits will lose the factory setting during shipping.



Test the operation of your awning by using the open and close buttons on your remote control or switch box. The awning should open to its full projection and the arms will still be bent but locked at the elbow (this is normal). The awning should close to about 1/2" inch between the Front Bar and the round side of the Arm Clamp (see figures 15a and 16 in Appendix B of your installation manual).

SCREEN ROOMS



If your awning fails to open to its full projection or does not appear to open and close properly, please follow the steps in Appendix B to restore the Open/Close Stop Limits.



Are you happy with the height and level of the Front Bar? If yes, Great! Your installation is now complete. Enjoy your new SunSetter awning.

AWNINGS



23. Using the crank wand, open your awning to its full projection. The arms will still be bent but locked at the elbow. **This is normal.** They will never straighten out completely. Are you happy with the height and level of the front bar? If yes, Great!! Enjoy your new SunSetter awning.

If No, and you would like to change the pitch (angle) of your awning- refer to Appendix A



APPENDIX A - CHANGING THE PITCH

There is one final adjustment you might need to make: Setting the pitch or angle of your awning.

Fully open the awning. Are you happy with the height and level of the front bar? If so, great! **You are done with the installation. Relax, and enjoy your awning.**

SPECIALTY ITEMS



If not, you can adjust the pitch or angle of each arm separately.

1. Fully open the awning using your crank wand or remote transmitter as applicable. On motorized awnings, unplug the power cord from the outlet after opening the awning.

2. Have your helper slightly lift the front bar to take the weight off the arm. Then, use the supplied 6mm Allen wrench to loosen approximately 1/2 turn, but not remove, the three allen cap bolts on the side of the arm clamp -- see figure 12

NOTE: If you have a 10' awning, you may need to temporarily remove the override crank from the motor or the crank loop from the gear unit to allow easy access to the 3 Allen cap bolts. Simply reinstall the override crank or crank loop when you are done.

And so much more...

SHEDS



SCREEN ROOMS



AWNINGS



SPECIALTY ITEMS

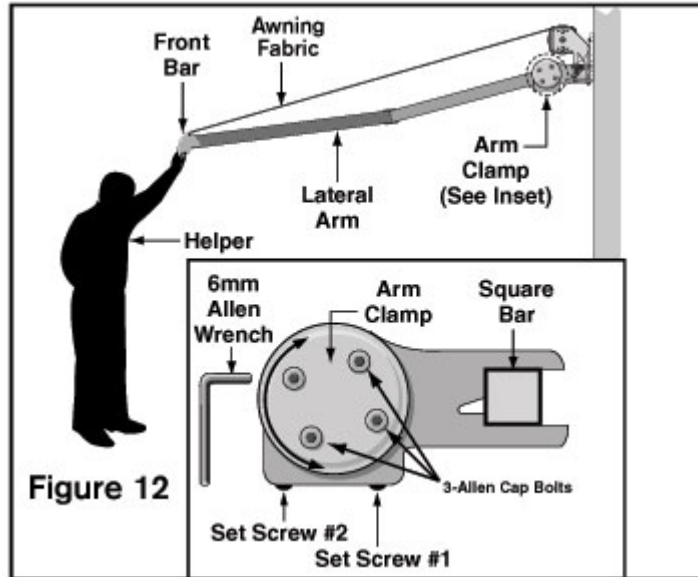


And so much more...

WARNING: RAISING THE FRONT BAR WILL REDUCE THE PITCH (ANGLE) OF THE FABRIC THUS INCREASING THE RISK OF RAIN WATER POOLING ON THE FABRIC. TO PREVENT THE AWNING FROM COLLAPSING DUE TO RAIN WATER LOAD, YOU MUST RETRACT THE AWNING WHEN UNATTENDED. FAILURE TO DO SO COULD RESULT IN PERSONAL INJURY.

To raise the front bar, continue with step 3.

To lower the front bar, proceed to step 7.



To Raise the Front Bar

3. Look at the bottom of the arm clamp. You will see two allen set screws (set screw #1 and set screw #2 on figure 12) To raise the front bar of the awning, first loosen the allen set screw closest to the square bar (set screw #1 on figure 12) by turning it counterclockwise.

4. Have your helper lift the arm to the desired height, then, rotate clockwise the Allen set screw farthest away from the square bar (set screw #2 on figure 12). Have your helper release the front bar to see if it reached the desired height. If you have gone too far, simply turn set screw #2 counterclockwise to lower the front bar. If the front bar is still not high enough, continue turning the set screw clockwise.

5. Once you have set the arm at the desired height, secure set screw #1 all the way in. Adjust the other arm the same way. **Make sure that the front bar is level.**

6. Tighten the three allen cap bolts on the side of each arm clamp.

NOTE: Depending on adjustments, the Open/Close position stops may need to be adjusted to correct any sagging that may occur to the fabric. Follow the procedures in Appendix B for your motor application.

You are now done with the installation. If you purchased a motorized awning plug the power cord into the outlet and enjoy your awning.

SHEDS



SCREEN ROOMS



AWNINGS



SPECIALTY ITEMS



And so much more...

To lower the front bar!

7. Look at the bottom of the arm clamp. You will see two allen set screws (set screw #1 and set screw #2 on figure 12). To lower the front bar of the awning, loosen the allen set screw farthest away from the square bar (set screw #2 on figure 12), by turning it counterclockwise, until you reach the desired height. If you have gone too far, simply turn set screw #2 clockwise to raise the front bar (you might want your helper to lift the front bar a little to take off the weight from the set screw). If the front bar is still not low enough, continue turning the set screw counterclockwise.

8. Once you have reached the desired height, rotate clockwise the allen set screw closest to the square bar (set screw #1 on figure 12) until secured all the way in. Adjust the other arm the same way. **Make sure that the front bar is level.**

9. Tighten the three allen cap bolts on the side of each arm clamp.

NOTE: Depending on adjustments, the Open/Close position stops may need to be adjusted to correct any sagging that may occur to the fabric. Follow the procedures in Appendix B for your motor application.

You are now done with the installation. If you purchased a motorized awning plug the power cord into the outlet and enjoy your awning.

APPENDIX B

RESETTING THE LIMIT PUSH BUTTONS OF THE SUNSETTER MOTOR

If the motor on your SunSetter awning is mounted on the right, as you face the house, complete steps 1 thru 12. If the motor on your SunSetter awning is mounted on the left, as you face the house, complete steps 13 thru 23.

Awnings with Motors installed on the *Right* as you face the house

1. Press the Neutral/Middle button on the remote.
2. Unplug the power cord from the electrical outlet on the wall.
3. From a stepladder locate the limit push buttons on the motor. These push buttons will be on top of the motor housing under a black plastic protective cap - see Figure 13.
4. Grasp the black protective cap and lift it up. You will notice one yellow button and one white button inside a recessed area. These are the limit push buttons for the **OPEN** and **CLOSE** positions for the motorized awning.
5. Clear the Factory Settings by separately pressing both buttons (white and yellow) until they are both '**IN**' or at their lowest point inside the recessed area of the motor housing - see figure 13. You should practice this a few times to understand this process.

SHEDS



SCREEN ROOMS



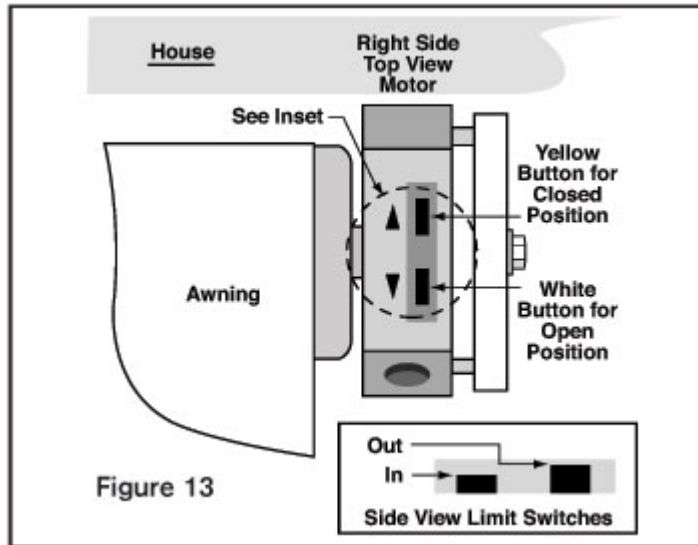
AWNINGS



SPECIALTY ITEMS

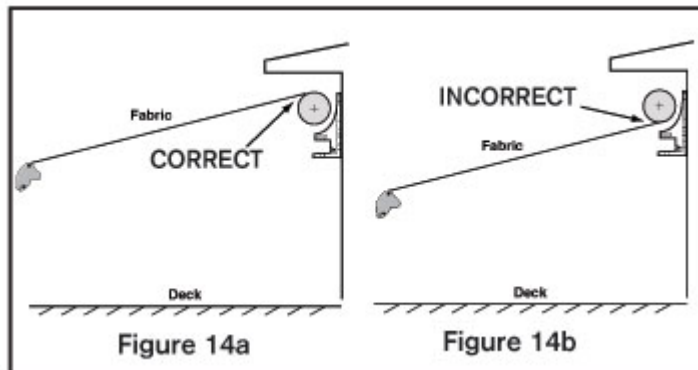


And so much more...



6. Manually crank the awning open to the point where both lateral arms 'lock' into the fully extended position. The fabric will also be at its tightest point.

NOTE: The fabric should be rolling over the top of the roller bar (figure 14a), not underneath (figure 14b). If the fabric is rolling from the bottom of the roller bar, continue unrolling the fabric until it rolls over the top of the roller bar. Then roll up the fabric until both lateral arms 'lock' and the fabric becomes tight.



7. Depress the white button so that it is in the 'OUT' position (or closer to the top of the recessed area on the motor housing). Now the **OPEN** position stop is set.

8. Manually roll the awning up until it is almost completely closed. The area to watch is where the front bar almost touches the round side of the arm clamp - see figure 15. Leave about 1/2" gap between the front bar and the round side of the arm clamp.

9. Depress the yellow button so that it is in the 'OUT' position (or closer to the top of the recessed area on the motor housing). Now the **CLOSE** position stop is set.

10. Replace the black protective cap on the motor housing. Be careful that the cap will not accidentally depress one of the limit push buttons underneath.

11. Plug the power cord back into the electrical outlet on the wall.

12. Test the awning for proper operation.

SHEDS



SCREEN ROOMS



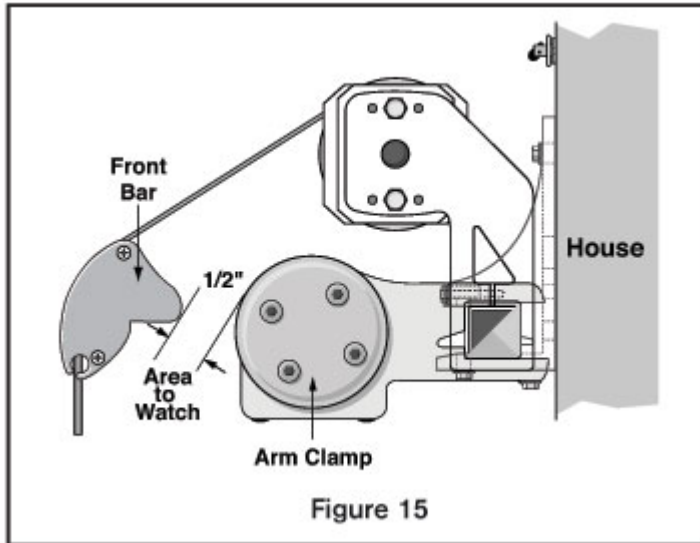
AWNINGS



SPECIALTY ITEMS



And so much more...



Awnings with Motors installed on the *Left* as you face the house

13. Press the Neutral/Middle button on the remote.

14. Unplug the power cord from the electrical outlet on the wall.

Note: Black protective cap for use with Right Motor Installations Only.

15. From a stepladder locate the limit push buttons on the motor. These push buttons will be on the underside of the motor housing. - see Figure 16.

16. You will notice one yellow button and one white button inside a recessed area. These are the limit push buttons for the **OPEN** and **CLOSE** positions for the motorized awning.

17. Clear the Factory Settings by separately pressing both buttons (white and yellow) until they are both '**IN**' or at their lowest point inside the recessed area of the motor housing - see figure 16. You should practice this a few times to understand this process.

SHEDS



SCREEN ROOMS



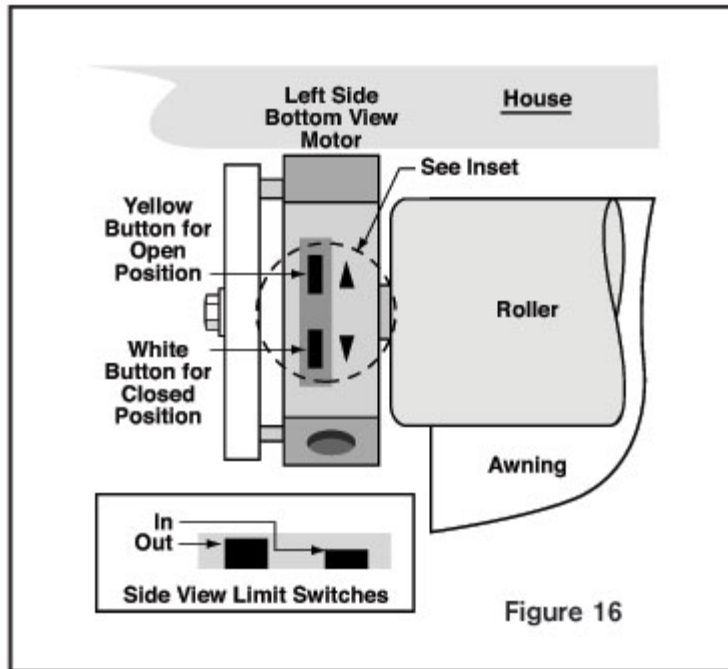
AWNINGS



SPECIALTY ITEMS



And so much more...



18. Manually crank the awning open to the point where both lateral arms 'lock' into the fully extended position. The fabric will also be at its tightest point.

NOTE: The fabric should be rolling over the top of the roller bar (figure 14a), not underneath (figure 14b). If the fabric is rolling from the bottom of the roller bar, continue unrolling the fabric until it rolls over the top of the roller bar. Then roll up the fabric until both lateral arms 'lock' and the fabric becomes tight.

19. Depress the yellow button so that it is in the 'OUT' position (or closer to the top of the recessed area on the motor housing). Now the **OPEN** position stop is set.

20. Manually roll the awning up until it is almost completely closed. The area to watch is where the front bar almost touches the round side of the arm clamp - see figure 17. Leave about 1/2" gap between the front bar and the round side of the arm clamp.

SHEDS



SCREEN ROOMS

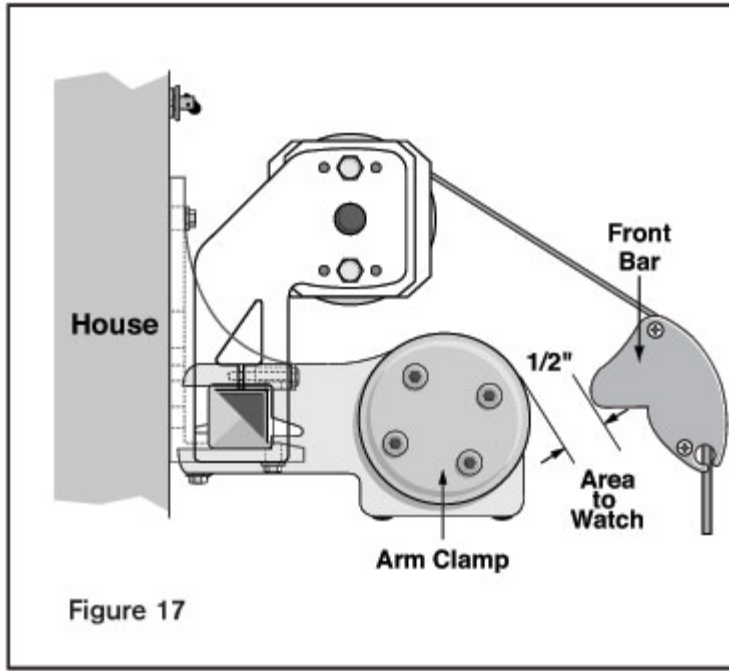


Figure 17

AWNINGS



21. Depress the white button so that it is in the 'OUT' position (or closer to the top of the recessed area on the motor housing). Now the **CLOSE** position stop is set.

22. Plug the power cord back into the electrical outlet on the wall.

23. Test the awning for proper operation.

SPECIALTY ITEMS



And so much more...

Patio Concepts Inc.
52 Riverview Beach Road
Pefferlaw, ON L0E 1N0

www.patioconcepts.ca

Toll Free: (800) 922-4760
Fax: (905) 476-5486
Email: glenn@patioconcepts.ca