

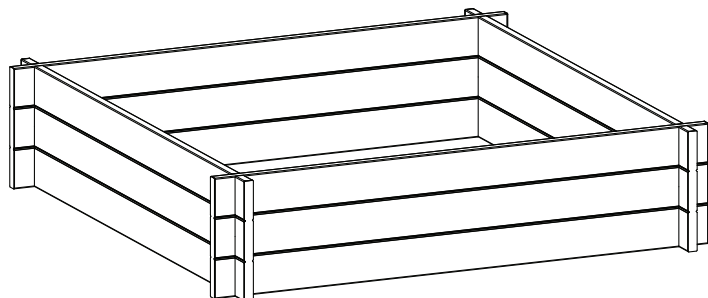
# ASSEMBLY INSTRUCTIONS

New England  
Arbors

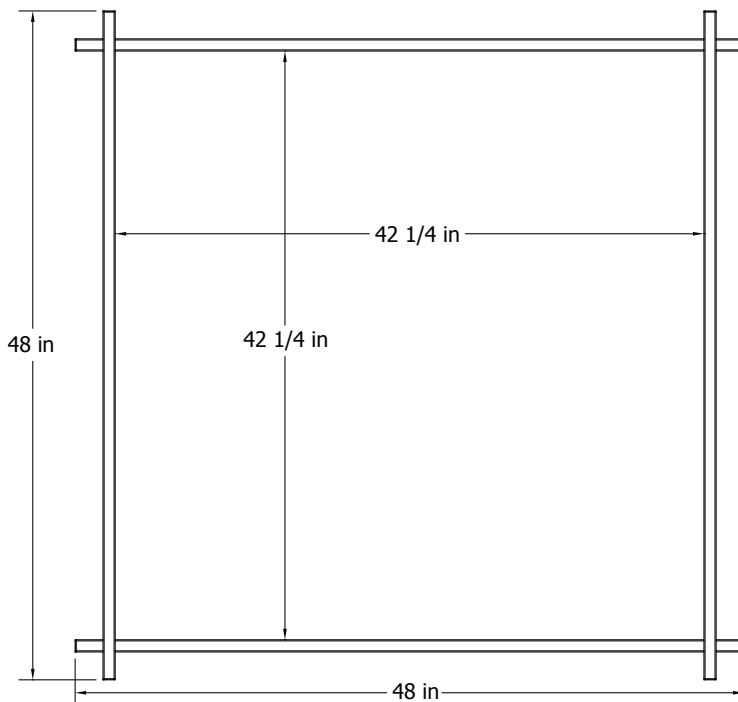
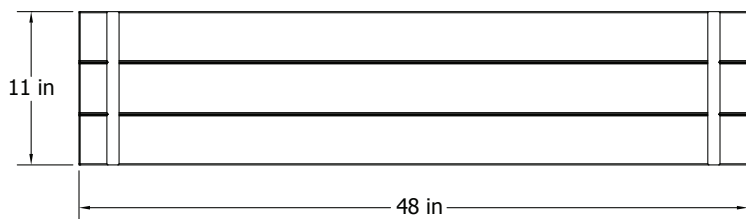
Leadership by Design

www.newenglandarbors.com

## Hudson 4 x 4 Modular Raised Garden Bed



**Note: Volume of Raised Garden Bed is  $\pm$  320 Liters or 11 ft<sup>3</sup>**

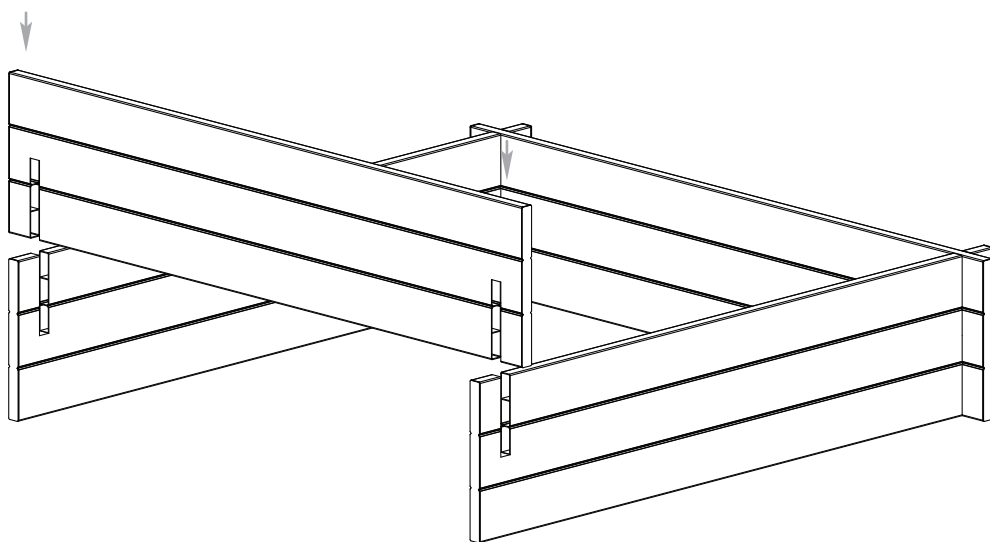


*Please read through before starting assembly.*

### Assembly Instruction

In the event of missing or defective parts please call our customer service dept. at **1 800 282 9346, ext #20** (Mon. to Fri. 8:00 AM to 4:00 PM EST).

To assemble, align and insert the four boards where they are notched as shown.



### General Information

- **Read Instructions through carefully before beginning assembly.**
- When assembling components, place on a non-abrasive surface (i.e. shipping box) to avoid scratching.
- We recommend an area approx 4'x 8' for unobstructed assembling.
- You should not need to use excessive force when assembling components.

Ver 1.0/111714